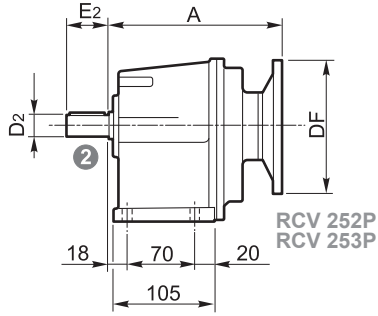
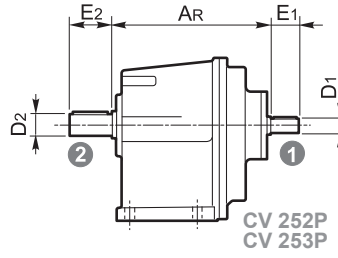


DIMENSIONI / DIMENSIONS / ABMESSUNGEN / DIMENSIONS / DIMENSIONES / DIMENSÕES

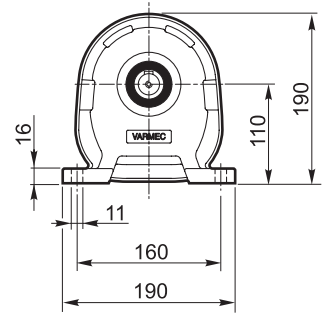
P



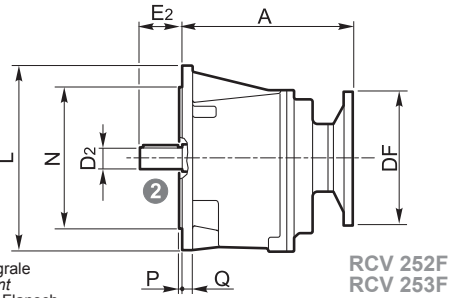
RCV 252P
RCV 253P



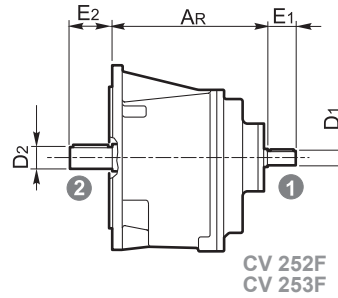
CV 252P
CV 253P



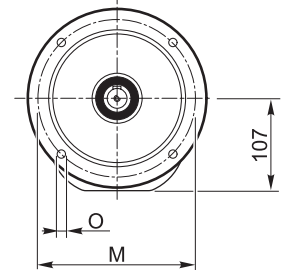
F



RCV 252F
RCV 253F

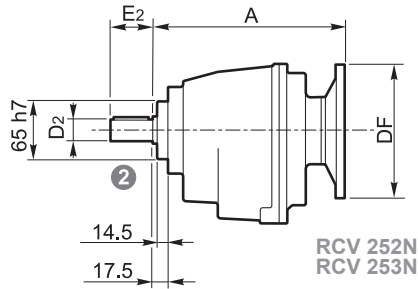


CV 252F
CV 253F

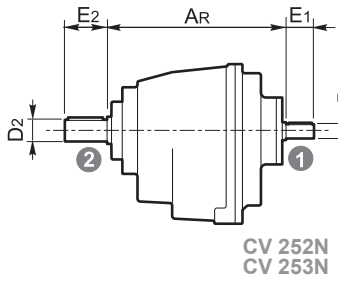


N.B.
F = Flangia integrale
F = Flange mount
F = Integriertem Flansch
F = Bride monobloc
F = Brida integral
F = Brida integral

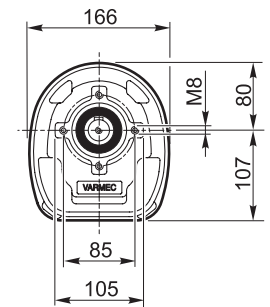
N



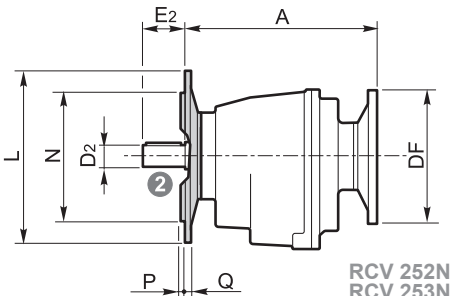
RCV 252N
RCV 253N



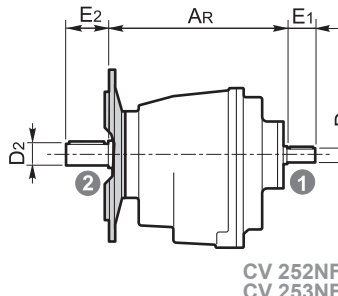
CV 252N
CV 253N



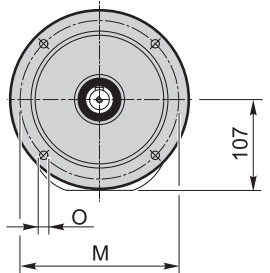
NF



RCV 252NF..
RCV 253NF..



CV 252NF..
CV 253NF..



	L	M	N h8	O	P	Q
NF140	140	115	95	9	3	10
NF160	160	130	110	11	3	10
NF200	200	165	130	11.5	3.5	10
F200	200	165	130	11.5	3.5	10

P - F

N - NF

RCV CV	RCV							CV
	IEC	DF		A	NEMA	DF	A	AR
		(B5)	(B14)					
252	63	140		169	56	165.1	177	162
	71	160			140	165.1	177	
	80	200		186.5				
	90	200	140					
	100	250	160					
	112	250	160					
253	56	120	80		56	165.1	181.7	159.6
	63	140	90	162.7				
	71	160	105					

RCV CV	RCV							CV
	IEC	DF		A	NEMA	DF	A	AR
		(B5)	(B14)					
252	63	140		194	56	165.1	202	187
	71	160			140	165.1	202	
	80	200		211.5				
	90	200	140					
	100	250	160					
	112	250	160					
253	63	140	90	187.7	56	165.1	206.7	184.6
	71	160	105					