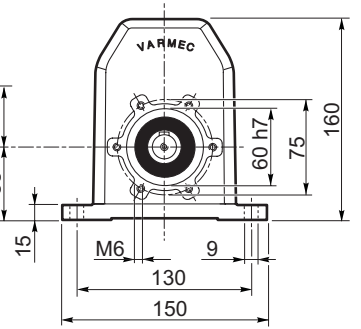
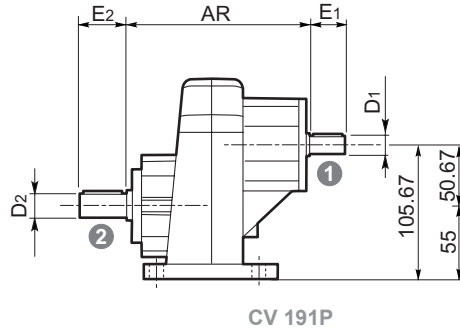
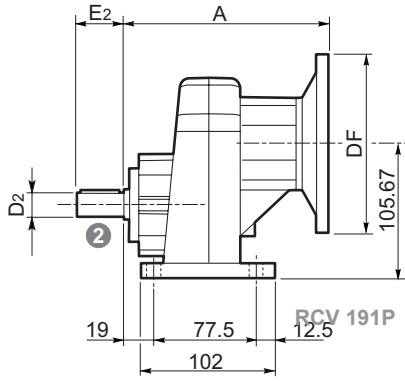
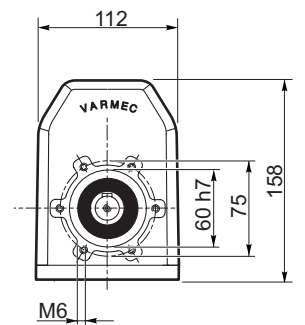
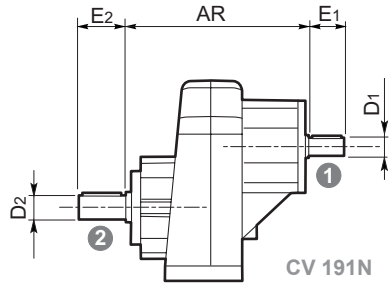
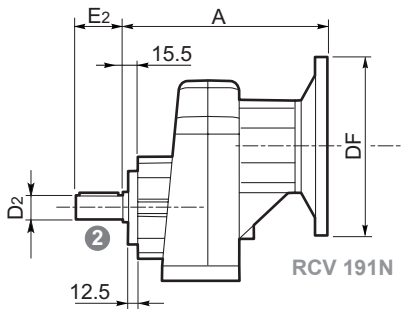




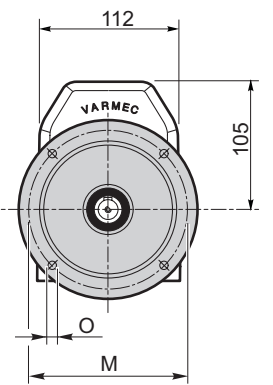
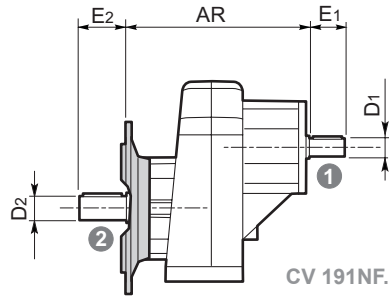
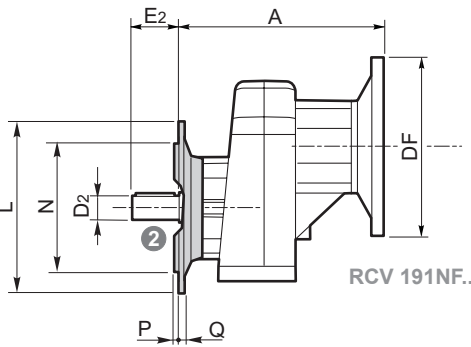
P



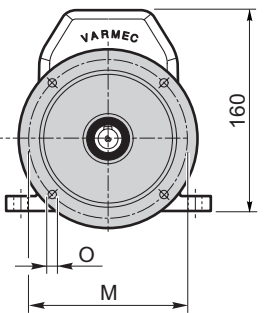
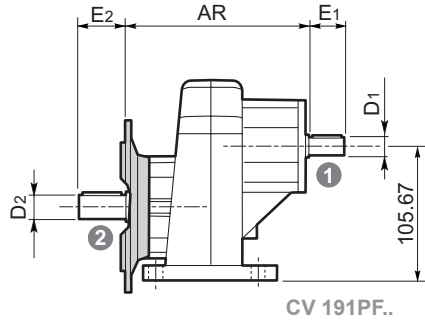
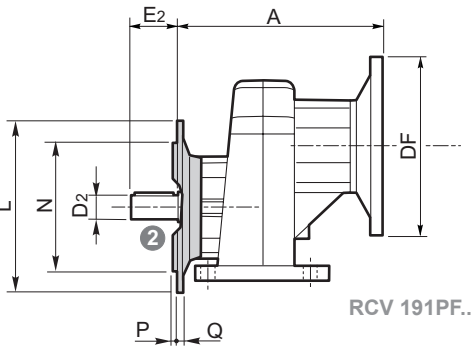
N



NF..



PF..



RCV CV	RCV						CV
	IEC	DF		A	NEMA	DF	A
		(B5)	(B14)				
191	56	120	80	122.5	56	165.1	150
	63	140	90		140	165.1	150
	71	160	105	142			
	80	200	120				
	90	200	140				
							136 (119.3)*

	L	M	N h8	O	P	Q
NF120 - PF120	120	100	80	9	3	12
NF140 - PF140	140	115	95	9.5	3	12
NF160	160	130	110	9.5	3	12
NF200	200	165	130	11.5	3.5	12

(\*) Consultare il nostro servizio tecnico / Please consult our technical service department / Sie bitte Rücksprache mit unserem technischen Büro / Veuillez nous consulter / Consultar nuestro servicio técnico / Consulta o nosso serviço técnico