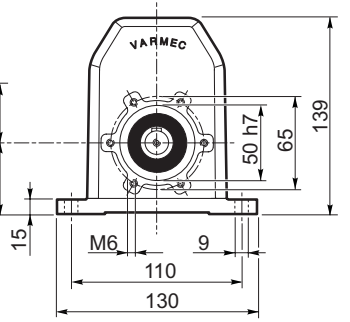
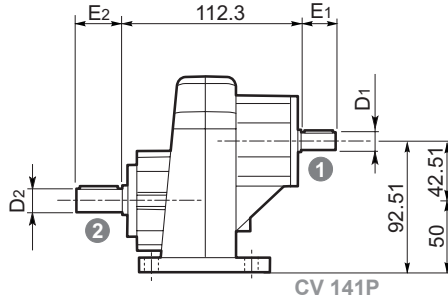
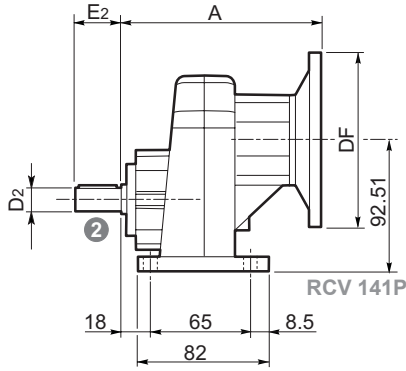
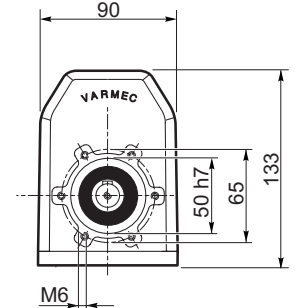
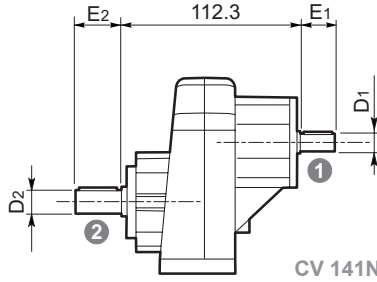
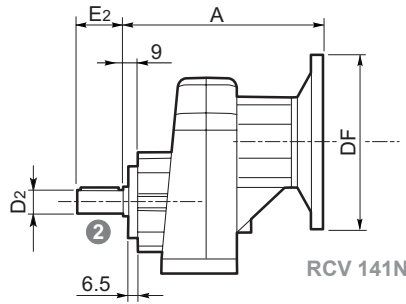




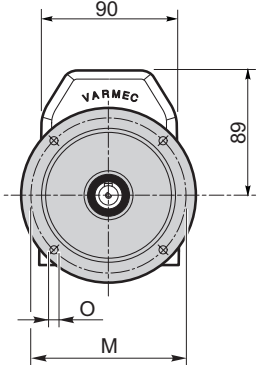
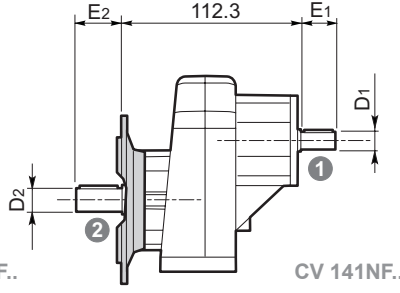
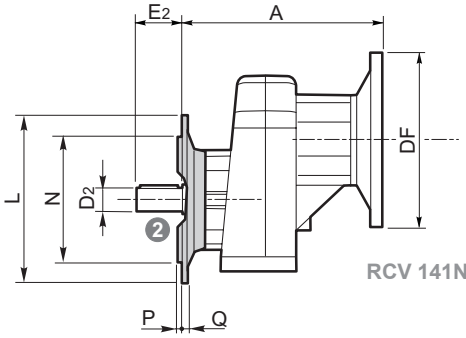
P



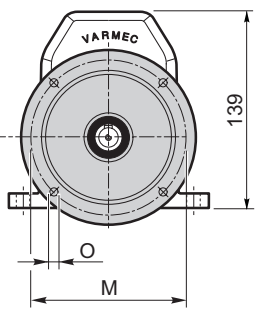
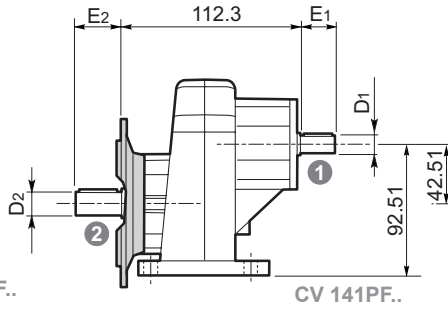
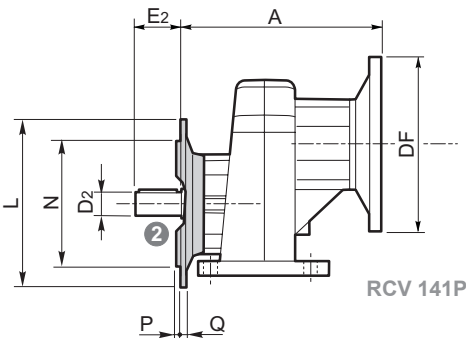
N



NF..



PF..



RCV CV	RCV						
	IEC	DF		A	NEMA	DF	A
		(B5)	(B14)				
141	56	120	80	115.5	56	165.1	134.5
	63	140	90				
	71	160	105				
	80	200	120				

	L	M	N h8	O	P	Q
NF120 - PF120	120	100	80	9	3	9
NF140 - PF140	140	115	95	9.5	3	9
NF160 - PF160	160	130	110	9.5	3.5	9