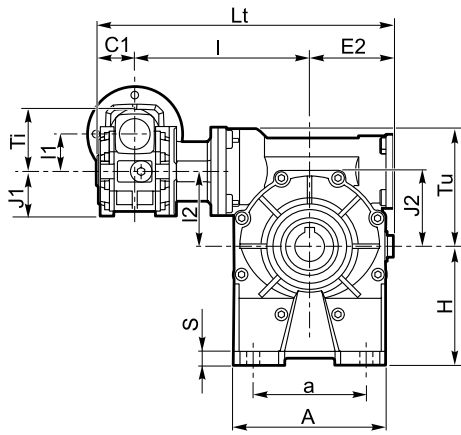


5.6 Dimensioni

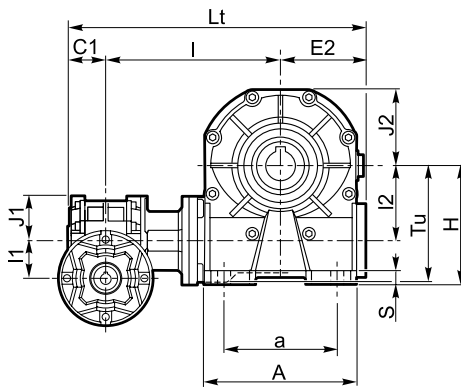
5.6 Dimensions

5.6 Abmessungen

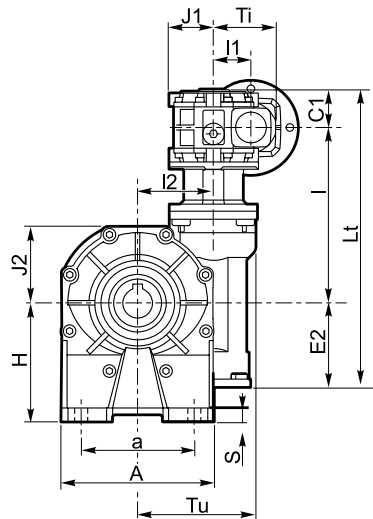
KKC\_A



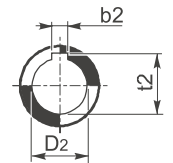
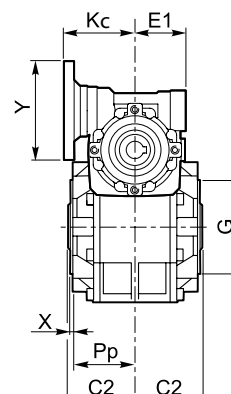
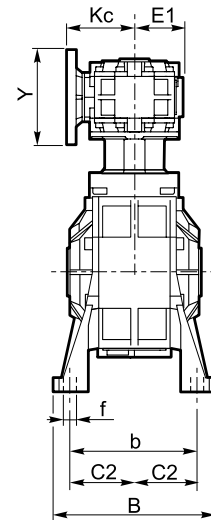
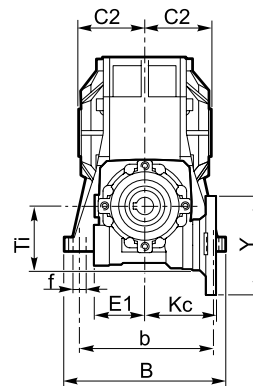
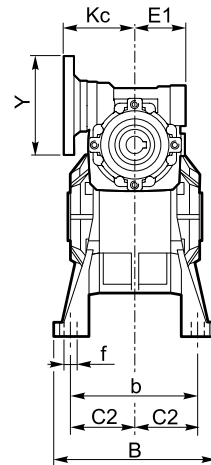
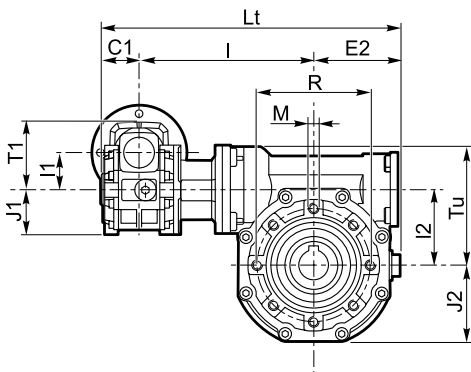
KKC\_B



KKC\_V



KKC\_P



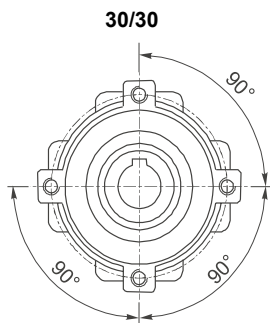
Albero uscita cavo  
Output hollow shaft  
Abtriebs-Hohlwelle

5.6 Dimensioni

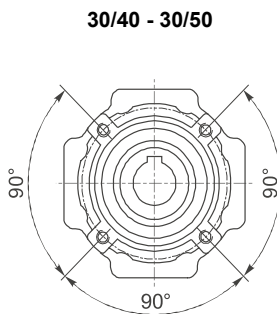
5.6 Dimensions

5.6 Abmessungen

Flangia pendolare / Side cover for shaft mounting / Aufsteckflansch

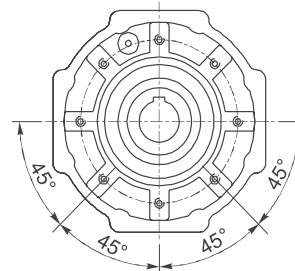


4 Fori / Holes / Bohrungen



4 Fori / Holes / Bohrungen

30/63 - 40/63 - 40/75 - 40/90 - 50/75  
50/90 - 50/110 - 63/110 - 60/130



8 Fori / Holes / Bohrungen

	KKC																						
	A		a		B		b		f		H		S		b <sub>2</sub>	C <sub>1</sub>	C <sub>2</sub>	D2 H7	E <sub>1</sub>	E <sub>2</sub>	G h8		
	1	2	1	2	1	2	1	2	1	2	1	2	1	2									
30/30	67		40-52		78		66		6.5		52	55	5	8	5	—	31.5	14	—	41	55		
30/40	86.5		70	52	98		84	81	7	8.5	71	72	9	10	6	6	39	18	19	51	60		
30/50	106		63-85		119		99		9		85	82	11	8	8	8	46	25	24	60	70		
30/63	127.5		95		136		111		11		100		12	8	—		56	25	—	51	71	80	
40/63																							
40/75	155.5		120		140		115		11		115		12	8	—		39	60	28	30	60	85	95
50/75																							
40/90	190		140		168		140	146	13	11	135	142		14	10	—	39	70	35	—	51	103	110
50/90																							
50/110	250		200		210		162	181	13	13	171	170	17	15	12	—	46	77.5	42	—	60	127.5	130
63/110																							
63/130	295		235	220	229		190	191		15	200	195	20	15	14		56	85	45	48	71	147.5	180

	KKC															
	I	I <sub>1</sub>	I <sub>2</sub>	J <sub>1</sub>	J <sub>2</sub>	K <sub>c</sub>	L <sub>t</sub>	M	P <sub>p</sub>	R	T <sub>i</sub>	T <sub>u</sub>	t <sub>2</sub>	X		
30/30	100	31.5	31.5	37.5	37.5	57	171.5	M6x8	29	65	52.5	T <sub>u</sub>	16.3	—	1.5	
30/40	122		40				43.5	203.5	M6x10	36.5		75	52.5	20.8	21.8	1.5
30/50	132		50				53.5	223.5	M8x10	43.5		85	68.5	27.3	1.5	
30/63	147	40	63	64	75	82	248.5	M8x14	53	95	68.5	100.5	28.3	—	2	
40/63	152						261									
40/75	176.5	50	75	78	82	82	301.5	M8x14	57	115	82.5	116.5	31.3	—	2	
50/75	192						324									
40/90	186.5	40	90	100	75	82	328.5	M10x18	67	130	68.5	116.5	38.3	—	2	
50/90	202						351									
50/110	226	50	110	122	82	97	399.5	M10x18	74	165	82.5	131.5	45.3	—	2.5	
63/110	236						419.5									
63/130	256	63	130	64	131	97	459.5	M12x20	81	215	100.5	181	48.8	51.8	3	