

5.9 Accessori

5.9 Accessories

5.9 Accessories

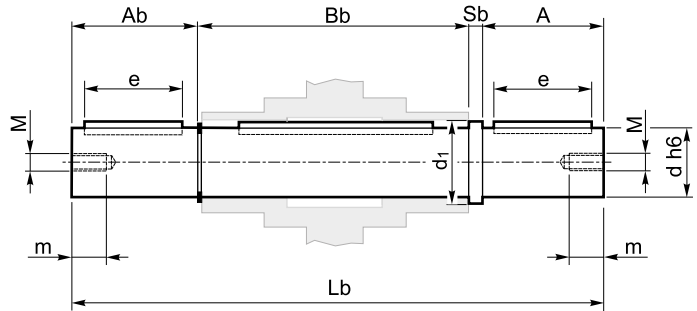
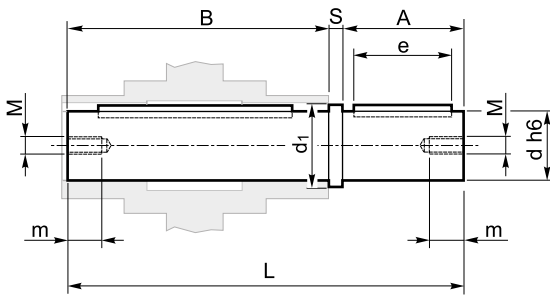
Albero lento

Albero lento semplice
Single output shaft
Standard Abtriebswelle

Output shaft

Abtriebswelle

Albero lento doppio
Double output shaft
Doppelte Abtriebswelle

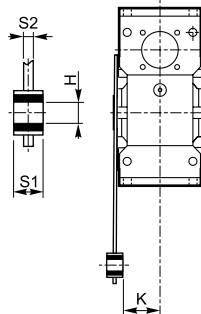
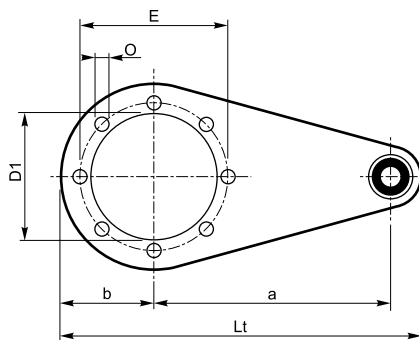


| KK-KX-XX | A | B | d _{h6} | | d ₁ | e | L | M | m | S | A | A _b | B _b | d _{h6} | d ₁ | e | L _b | S _b |
|------------------|----|-------|-----------------|----|----------------|----|-------|-----|----|-----|----|----------------|----------------|-----------------|----------------|----|----------------|----------------|
| 30/30 | 30 | 62 | 14 | | 18.5 | 20 | 94.5 | M6 | 16 | 2.5 | 30 | 29 | 64 | 14 | 18.5 | 20 | 126 | 2.5 |
| 30/40 | 40 | 77 | 18 | 19 | 23.5 | 30 | 120 | M6 | 16 | 3 | 40 | 39 | 79 | 18 | 23.5 | 30 | 161 | 3 |
| 30/50 | 50 | 90 | 25 | 24 | 31.5 | 40 | 143.5 | M8 | 22 | 3.5 | 50 | 49 | 93 | 25 | 31.5 | 40 | 195.5 | 3.5 |
| 30/63 40/63 | 50 | 111 | 25 | | 31.5 | 40 | 165 | M8 | 22 | 4 | 50 | 49 | 113 | 25 | 31.5 | 40 | 216 | 4 |
| 40/75 50/75 | 60 | 119 | 28 | 30 | 34.5 | 50 | 183 | M8 | 22 | 4 | 60 | 59 | 121 | 28 | 34.5 | 50 | 244 | 4 |
| 40/90 50/90 | 80 | 139 | 35 | | 41.5 | 60 | 224 | M10 | 28 | 5 | 80 | 78.5 | 141.5 | 35 | 41.5 | 60 | 305 | 5 |
| 50/110 63/110 | 80 | 154.5 | 42 | | 49.5 | 60 | 242.5 | M10 | 28 | 8 | 80 | 77.5 | 157 | 42 | 49.5 | 60 | 322.5 | 8 |
| 63/130 | 80 | 168 | 45 | | 54.5 | 70 | 253 | M16 | 36 | 5 | 80 | 78 | 172 | 45 | 54.5 | 70 | 335 | 5 |

Braccio di reazione

Torque arm

Drehmomentstütze



| KK KX XX | a | b | D ₁ | E | H | K | L _t | O | S1 | S2 |
|------------------|-----|------|----------------|-----|----|------|----------------|----|----|----|
| 30/30 | 85 | 37.5 | 55 | 65 | 8 | 24 | 141.5 | 7 | 14 | 4 |
| 30/40 | 100 | 45 | 60 | 75 | 10 | 31.5 | 167 | 7 | 14 | 4 |
| 30/50 | 100 | 50 | 70 | 85 | 10 | 39 | 172 | 9 | 14 | 5 |
| 30/63 40/63 | 150 | 55 | 80 | 95 | 10 | 49 | 227 | 9 | 14 | 6 |
| 40/75 50/75 | 200 | 70 | 95 | 115 | 20 | 47.5 | 302 | 9 | 25 | 6 |
| 40/90 50/90 | 200 | 80 | 110 | 130 | 20 | 57.5 | 312 | 11 | 25 | 6 |
| 50/110 63/110 | 250 | 100 | 130 | 165 | 25 | 62 | 390 | 11 | 30 | 6 |
| 63/130 | 250 | 125 | 180 | 215 | 25 | 69 | 415 | 13 | 30 | 6 |

Kit di protezione: solo su versione P

Protection Kit: only for P version

Schutzvorrichtung: nur für Version P

Albero cavo / Hollow shaft / Hohlwelle

Limitatore di coppia / Torque limiter / Drehmomentbegrenzer

| KK KX XX | A | | B | | C | |
|------------------|----|------|----|------|----|-----|
| | IN | OUT | IN | OUT | IN | OUT |
| 30/30 | | 12 | | 13 | | 39 |
| 30/40 | 12 | 14 | 13 | 15.5 | 39 | 44 |
| 30/50 | | 15 | | 16.5 | | 54 |
| 30/63 40/63 | | 17 | | 19 | | 60 |
| 40/75 50/75 | 14 | 15.5 | 20 | 44 | 70 | |
| 40/90 50/90 | 15 | 18 | 24 | 54 | 80 | |
| 50/110 63/110 | 14 | 15.5 | 24 | 44 | 80 | |
| 50/90 | 15 | 21.5 | 24 | 44 | 80 | |
| 50/110 | 15 | 16.5 | 24 | 54 | 80 | |
| 63/110 | 17 | 22 | 25 | 60 | 96 | |
| 63/130 | 17 | 22 | 19 | 25 | 60 | 130 |

| KK KX XX | A | | B | | C | |
|------------------|----|------|------|------|----|-----|
| | IN | OUT | IN | OUT | IN | OUT |
| 30/30 | | 36 | | 37 | | 36 |
| 30/40 | 36 | 40 | 37 | 41.5 | 36 | 44 |
| 30/50 | | 47 | | 48.5 | | 53 |
| 30/63 40/63 | | 52 | | 54 | | 55 |
| 40/75 50/75 | 40 | 52 | 41.5 | 54 | 44 | 55 |
| 40/90 50/90 | 47 | 58 | 48.5 | 60 | 53 | 68 |
| 50/110 63/110 | 40 | 60.5 | 41.5 | 63 | 44 | 70 |
| 50/90 | 47 | 48.5 | 41.5 | 63 | 53 | 70 |
| 50/110 | 47 | 72 | 48.5 | 75 | 53 | 85 |
| 63/110 | 52 | 72 | 54 | 75 | 55 | 85 |
| 63/130 | 52 | 54 | 54 | 55 | 55 | |

Opzioni disponibili:

Available options:

Auf Anfrage ist folgendes Zubehör erhältlich:

Cuscinetti a rulli conici corona

Tapered roller bearing on wormgear

Kegelrollenlager auf Schneckenrad