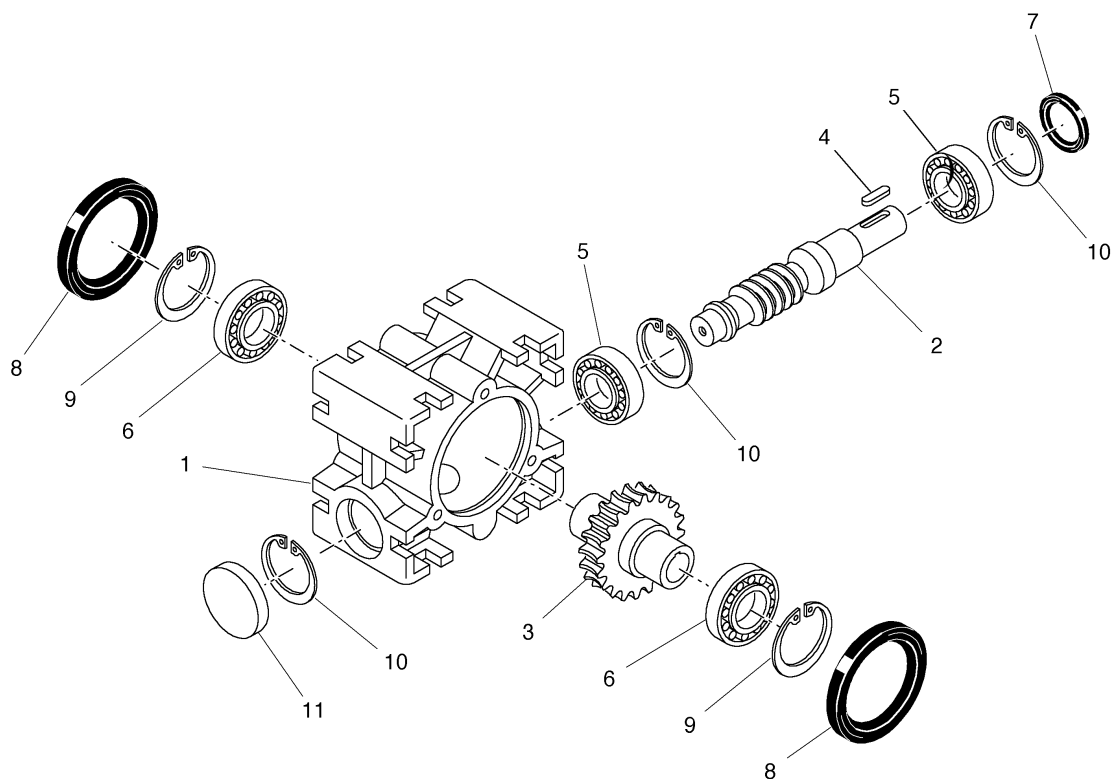


Блок-схема червячных мотор-редукторов серии MI

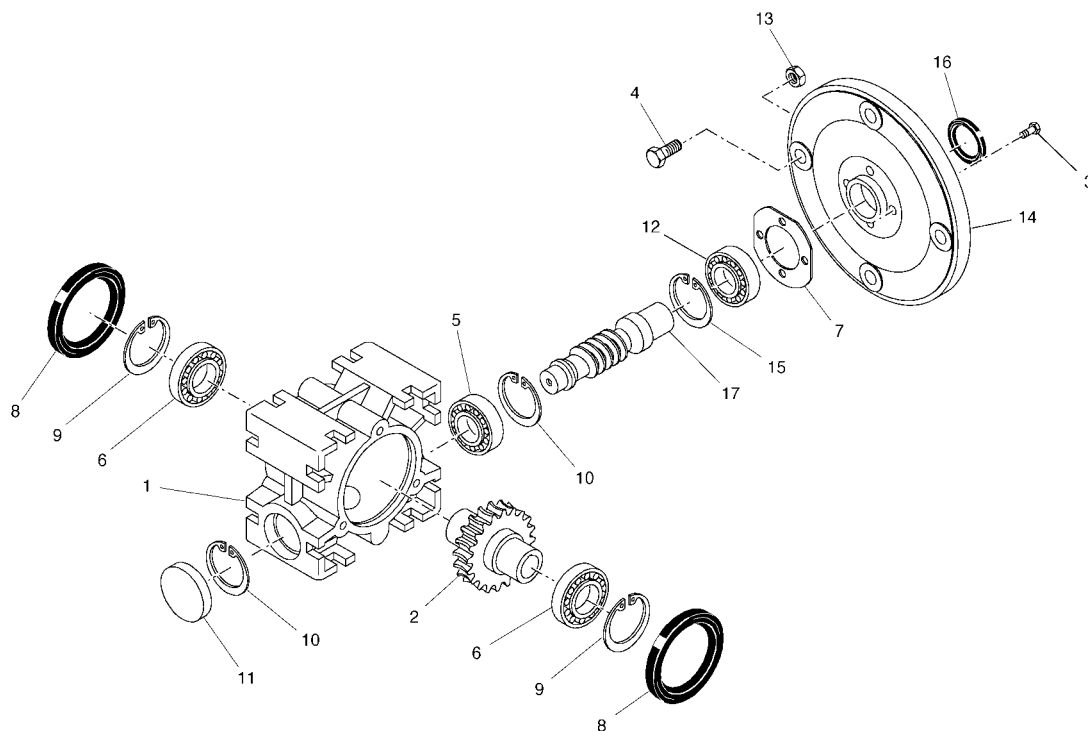
I 30



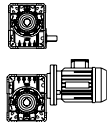
Pos.	Description
1	BODY
2	WORM SCREW
3	CROWN GEAR
4	KEY
5	BEARING
6	BEARING
7	OIL SEAL
8	OIL SEAL
9	SEEGER
10	SEEGER
11	CAP

Блок-схема червячных мотор-редукторов серии MI

MI 30

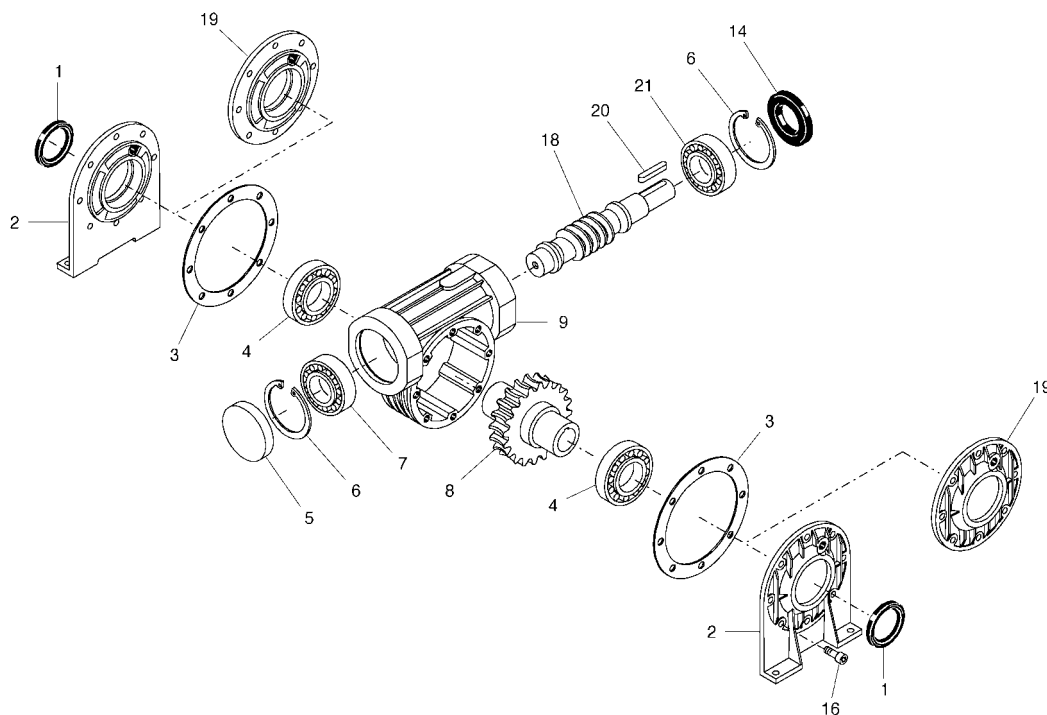


Pos.	Description
1	BODY
2	CROWN GEAR
3	SCREW T.C.E.I
4	SCREW T.E.
5	BEARING
6	BEARING
7	GASKET
8	OIL SEAL
9	SEEGER
10	SEEGER
11	CAP
12	BEARING
13	NUT
14	F.A.M
15	SEEGER
16	OIL SEAL
17	WORM SCREW

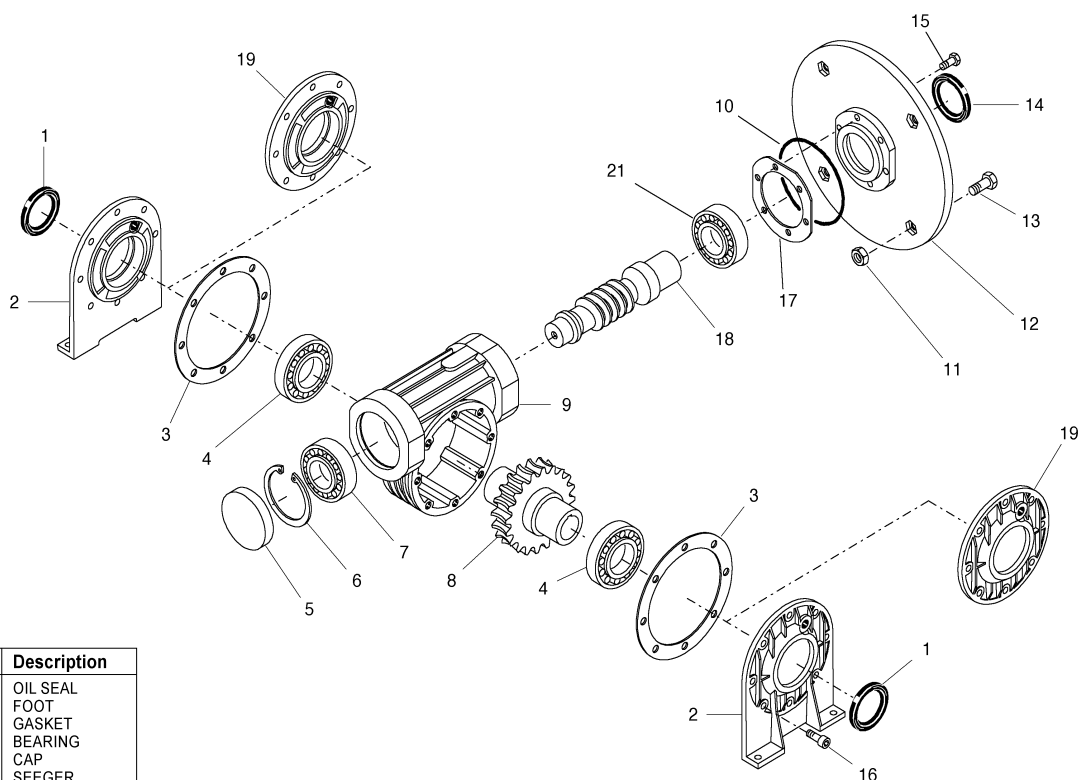
	Cuscinetti Bearings Kugellager			Anelli di tenuta Oilseals Simmerringe		
	5	12	6	7	16	8
I 30	6000 10/26/8	-	16006 30/55/9	10/26/7	-	30/55/7
MI 30	6000 10/26/8	51102 15/29/9	16006 30/55/9	-	15/24/7	30/55/7
MI 30 PAM 10/80	-	-	-	-	17/25/4	-
MI 30 PAM 11/90	-	-	-	-	17/25/4	-
MI 30 PAM 9/120	-	-	-	-	15/24/7	-
MI 30 PAM 9/80	-	-	-	-	15/24/7	-
MI 30 PAM 9/90	-	-	-	-	15/24/7	-
MI 30 PAM 11/140	-	-	-	-	17/28/5	-
I - MI 30 F						30/47/7
I - MI 30 FBC						30/47/7

Блок-схема червячных мотор-редукторов серии MI

NEW "I" FROM 40 ÷ 70



NEW "MI" FROM 40 ÷ 70



Pos.	Description
1	OIL SEAL
2	FOOT
3	GASKET
4	BEARING
5	CAP
6	SEEGER
7	BEARING
8	CROWN GEAR
9	BODY
10	OR
11	NUT
12	FLANGE
13	SCREW T.E.
14	OIL SEAL
15	SCREW T.E.
16	SCREW T.C.E.I
17	GASKET
18	WORM SCREW
19	FLANGE
20	KEY
21	BEARING