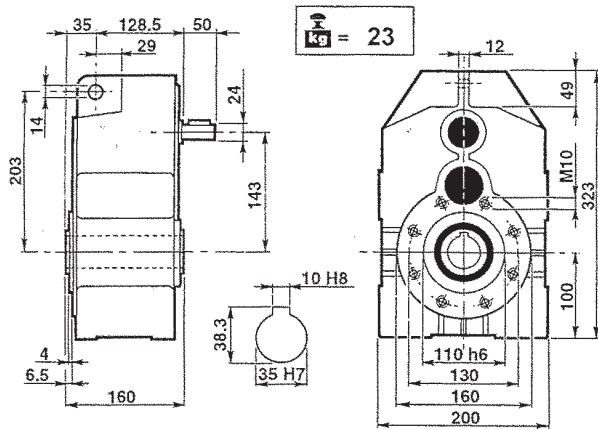


## PD 80

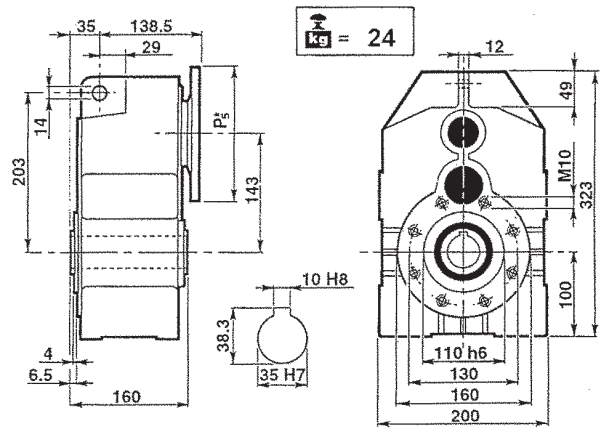
## MPD 80

$n_1$	$i$	$n_2$	$M_2$	$kW_1$	$HP_1$	RD
2800	10.02	279	360	11.0	14.9	0.96
	12.94	216	360	8.5	11.6	0.96
	15.78	177	360	7.0	9.5	0.96
	17.95	156	441	7.5	10.2	0.96
	20.17	139	405	6.1	8.3	0.96
	23.17	121	378	5.0	6.8	0.96
	28.26	99	378	4.1	5.6	0.96
36.13	77	360	3.0	4.1	0.96	
1400	10.02	140	400	6.1	8.3	0.96
	12.94	108	400	4.7	6.4	0.96
	15.78	89	400	3.9	5.3	0.96
	17.95	78	490	4.2	5.7	0.96
	20.17	69	450	3.4	4.6	0.96
	23.17	60	420	2.8	3.8	0.96
	28.26	50	420	2.3	3.1	0.96
36.13	39	400	1.7	2.3	0.96	
900	10.02	90	440	4.3	5.9	0.96
	12.94	70	440	3.3	4.5	0.96
	15.78	57	440	2.7	3.7	0.96
	17.95	50	539	2.9	4.0	0.96
	20.17	45	495	2.4	3.3	0.96
	23.17	39	462	2.0	2.7	0.96
	28.26	32	462	1.6	2.2	0.96
36.13	25	440	1.2	1.6	0.96	

$n_1$	$i$	$n_2$	$M_2$	$kW_1$	$HP_1$	RD	sf	PAM
2800	10.02	279	180	5.5	7.5	0.96	2.00	28/250 - 24/200
	12.94	216	233	5.5	7.5	0.96	1.54	28/250 - 24/200
	15.78	177	284	5.5	7.5	0.96	1.27	28/250 - 24/200
	17.95	156	323	5.5	7.5	0.96	1.36	28/250 - 24/200
	20.17	139	363	5.5	7.5	0.96	1.11	28/250 - 24/200
	23.17	121	303	4.0	5.5	0.96	1.25	28/250 - 24/200
	28.26	99	370	4.0	5.5	0.96	1.02	28/250 - 24/200
36.13	77	260	2.2	3.0	0.96	1.38	28/250 - 24/200	
1400	10.02	140	262	4.0	5.5	0.96	1.52	28/250 - 24/200
	12.94	108	339	4.0	5.5	0.96	1.18	28/250 - 24/200
	15.78	89	310	3.0	4.0	0.96	1.29	28/250 - 24/200
	17.95	78	470	4.0	5.5	0.96	1.04	28/250 - 24/200
	20.17	69	396	3.0	4	0.96	1.14	28/250 - 24/200
	23.17	60	334	2.2	3	0.96	1.26	28/250 - 24/200
	28.26	49	407	2.2	3	0.96	1.03	28/250 - 24/200
36.13	39	365	1.5	2	0.96	1.13	28/250 - 24/200	
900	10.02	90	225	2.2	3	0.96	1.96	28/250 - 24/200
	12.94	70	290	2.2	3	0.96	1.52	28/250 - 24/200
	15.78	57	354	2.2	3	0.96	1.24	28/250 - 24/200
	17.95	50	402	2.2	3	0.96	1.34	28/250 - 24/200
	20.17	45	452	2.2	3	0.96	1.10	28/250 - 24/200
	23.17	39	354	1.5	2	0.96	1.30	28/250 - 24/200
	28.26	32	432	1.5	2	0.96	1.07	28/250 - 24/200
36.13	25	405	1.1	1.5	0.96	1.09	28/250 - 24/200	



PD 80



MPD 80

$P_{5*}$ : Vedere i PAM per ogni singola versione  
 $P_{5*}$ : See PAM size for each single version  
 $P_{5*}$ : Siehe PAM Größe für jede Ausführung

$P_{5*}$ : Voir les PAM pour chaque version simple  
 $P_{5*}$ : Consulte los PAM de cada versión por separado  
 $P_{5*}$ : Ver os PAM para cada versão

Carico radiale esterno ammissibile  
 Charge radiale externe admissible

Max. Allowable external radial load  
 Carga radial externa admisible

Zulässige externe radiale Belastung  
 Carga radial externa admissível

Albero veloce / Input shaft / Eingangswelle / Arbre grande vitesse / Eje rápido / Eixo de entrada							
1400 min <sup>-1</sup>		PD 80			PD 80/3		
		900			650		
Albero lento / Output shaft / Seitigtriebswelle / Arbre petite vitesse / Eje lento / Eixo de saída							
PD 80 - PD 80/3							
min <sup>-1</sup>	0°	30°	60°	90°	120°	150°	180°
20	9995	10333	11213	12565	14118	15332	15811
40	7558	7900	8710	10062	11618	12899	13377
60	6418	6687	7499	8849	10403	11685	12225
80	5607	5878	6687	8039	9594	10944	11416
100	5066	5337	6078	7425	8981	10314	10375
120	4659	4864	5673	6959	8580	9930	10470
140	4323	4513	5264	6457	7961	9214	9715
160	4052	4230	4934	6052	7462	8636	9106

