

## PD 100/3

## MPD 100/3

$n_1$	i	$n_2$	$M_2$	$kW_1$	$HP_1$	RD
2800	21.40	131	810	12.1	16.4	0.92
	25.68	109	900	11.2	15.2	0.92
	33.16	84	882	8.5	11.5	0.92
	37.74	74	918	7.8	10.5	0.92
	40.44	69	882	7.0	9.5	0.92
	48.74	57	900	5.9	8.0	0.92
	52.70	53	720	4.4	5.9	0.92
	59.44	47	900	4.8	6.6	0.92
	72.91	38	918	4.0	5.5	0.92
	77.47	36	720	3.0	4.0	0.92
	88.91	31	918	3.3	4.5	0.92
	115.88	24	720	2.0	2.7	0.92

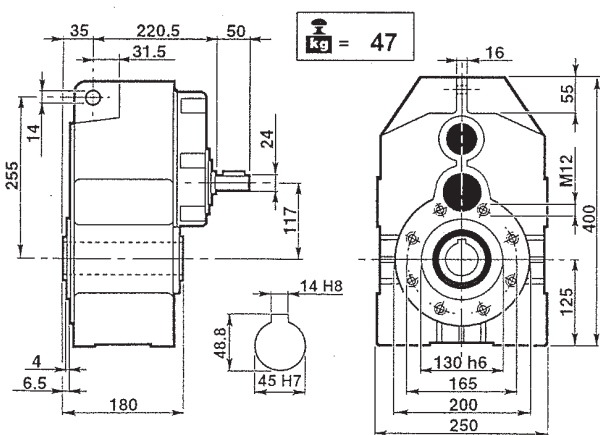
$n_1$	i	$n_2$	$M_2$	$kW_1$	$HP_1$	RD	sf	PAM
2800	21.40	131	369	5.5	7.5	0.92	2.19	28/250 - 24/200
	25.68	109	443	5.5	7.5	0.92	2.03	28/250 - 24/200
	33.16	84	572	5.5	7.5	0.92	1.54	28/250 - 24/200
	37.74	74	261	2.2	3.0	0.92	3.52	24/200 - 19/200
	40.44	69	698	5.5	7.5	0.92	1.26	28/250 - 24/200
	48.74	57	336	2.2	3.0	0.92	2.67	24/200 - 19/200
	52.70	53	661	4.0	5.5	0.92	1.09	28/250 - 24/200
	59.44	47	410	2.2	3	0.92	2.19	24/200 - 19/200
	72.91	38	343	1.5	2	0.92	2.68	14/160
	77.47	36	535	2.2	3	0.92	1.35	24/200 - 19/200
	88.91	31	418	1.5	2	0.92	2.19	14/160
	115.88	24	545	1.5	2	0.92	1.32	14/160

$n_1$	i	$n_2$	$M_2$	$kW_1$	$HP_1$	RD
1400	21.40	65	900	6.7	9.1	0.92
	25.68	55	1000	6.2	8.4	0.92
	33.16	42	980	4.7	6.4	0.92
	37.74	37	1020	4.3	5.9	0.92
	40.44	35	980	3.9	5.3	0.92
	48.74	29	1000	3.3	4.4	0.92
	52.70	27	800	2.4	3.3	0.92
	59.44	24	1000	2.7	3.6	0.92
	72.91	19	1020	2.2	3.0	0.92
	77.47	18	800	1.6	2.2	0.92
	88.91	16	1020	1.8	2.5	0.92
	115.88	12	800	1.1	1.5	0.92

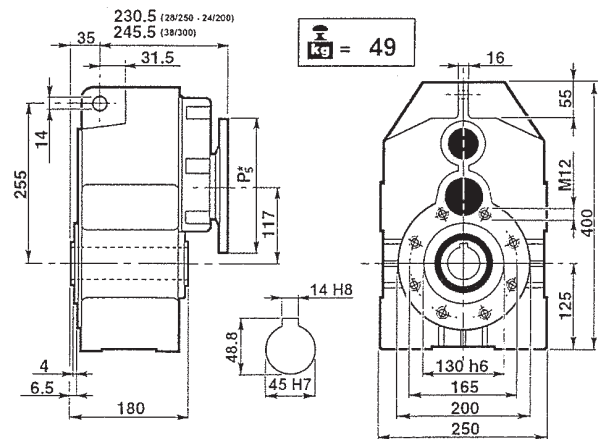
$n_1$	i	$n_2$	$M_2$	$kW_1$	$HP_1$	RD	sf	PAM
1400	21.40	65	537	4.0	5.5	0.92	1.68	28/250 - 24/200
	25.68	55	645	4.0	5.5	0.92	1.55	28/250 - 24/200
	33.16	42	832	4.0	5.5	0.92	1.18	28/250 - 24/200
	37.74	37	426	1.8	2.5	0.92	2.39	24/200 - 19/200
	40.44	35	1015	4.0	5.5	0.92	0.97	28/250 - 24/200
	48.74	29	551	1.8	2.5	0.92	1.82	24/200 - 19/200
	52.70	27	728	2.2	3.0	0.92	1.10	28/250 - 24/200
	59.44	24	671	1.8	2.5	0.92	1.49	24/200 - 19/200
	72.91	19	343	0.75	1.0	0.92	2.97	14/160
	77.47	18	729	1.50	2.0	0.92	1.10	24/200 - 19/200
	88.91	16	418	0.75	1.0	0.92	2.44	14/160
	115.88	12	545	0.75	1.0	0.92	1.47	14/160

$n_1$	i	$n_2$	$M_2$	$kW_1$	$HP_1$	RD
900	21.40	42	990	4.7	6.4	0.92
	25.68	35	1100	4.4	6.0	0.92
	33.16	27	1078	3.3	4.5	0.92
	37.74	24	1122	3.0	4.1	0.92
	40.44	22	1078	2.7	3.7	0.92
	48.74	18	1100	2.3	3.1	0.92
	52.70	17	880	1.7	2.3	0.92
	59.44	15	1100	1.9	2.6	0.92
	72.91	12	1122	1.6	2.1	0.92
	77.47	12	880	1.2	1.6	0.92
	88.91	10	1122	1.3	1.8	0.92
	115.88	8	880	0.8	1.1	0.92

$n_1$	i	$n_2$	$M_2$	$kW_1$	$HP_1$	RD	sf	PAM
900	21.40	42	460	2.2	3.0	0.92	2.15	28/250 - 24/200
	25.68	35	552	2.2	3.0	0.92	1.99	28/250 - 24/200
	33.16	27	712	2.2	3.0	0.92	1.51	28/250 - 24/200
	37.74	24	405	1.1	1.5	0.92	2.77	24/200 - 19/200
	40.44	22	869	2.2	3	0.92	1.24	28/250 - 24/200
	48.74	18	523	1.1	1.5	0.92	2.10	24/200 - 19/200
	52.70	17	926	1.8	2.5	0.92	0.95	28/250 - 24/200
	59.44	15	638	1.1	1.5	0.92	1.72	24/200 - 19/200
	72.91	12	391	0.55	0.75	0.92	2.87	14/160
	77.47	12	832	1.1	1.5	0.92	1.06	24/200 - 19/200
	88.91	10	477	0.55	0.75	0.92	2.35	14/160
	115.88	8	622	0.55	0.75	0.92	1.41	14/160



PD 100/3



MPD 100/3

$P_{5^*}$ : Vedere i PAM per ogni singola versione  
 $P_{5^*}$ : See PAM size for each single version  
 $P_{5^*}$ : Siehe PAM Größe für jede Ausführung

$P_{5^*}$ : Voir les PAM pour chaque version simple  
 $P_{5^*}$ : Consulte los PAM de cada versión por separado  
 $P_{5^*}$ : Ver os PAM para cada versão