

PD 160/3

MPD 160/3

n_1	i	n_2	M_2	kW_1	HP_1	RD
2800	34.24	82	3240	30.2	41.0	0.92
	39.47	71	2988	24.1	32.8	0.92
	41.78	67	3240	24.7	33.6	0.92
	50.46	55	2880	18.2	24.7	0.92
	53.36	52	3258	19.5	26.5	0.92
	58.57	48	3015	16.4	22.3	0.92
	65.07	43	3258	16.0	21.7	0.92
	71.52	39	2880	12.8	17.5	0.92
	75.63	37	3285	13.8	18.8	0.92
	83.19	34	2880	11.0	15.0	0.92
	92.23	30	3285	11.4	15.4	0.92
117.9	24	2880	7.8	10.6	0.92	

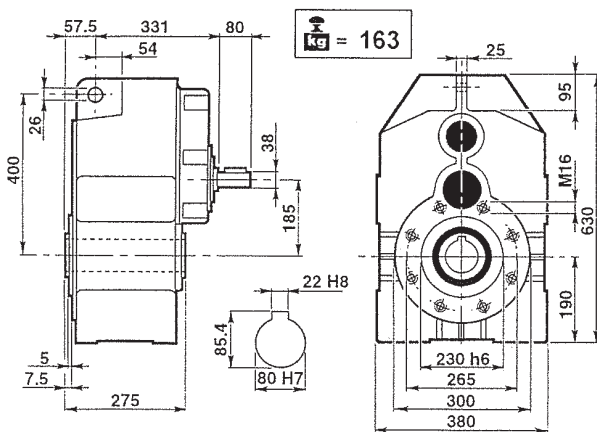
n_1	i	n_2	M_2	kW_1	HP_1	RD	sf	PAM
2800	34.24	82	2686	25	34	0.92	1.21	48/350 - 42/350
	39.47	71	1362	11	15	0.92	2.19	38/300
	41.78	67	3276	25	34	0.92	0.99	48/350 - 42/350
	50.46	55	1742	11	15	0.92	1.65	38/300
	53.36	52	1842	11	15	0.92	1.77	38/300
	58.57	48	1011	5.5	7.5	0.92	2.98	28/250
	65.07	43	2246	11	15	0.92	1.45	38/300
	71.52	39	1234	5.5	7.5	0.92	2.33	28/250
	75.63	37	1305	5.5	7.5	0.92	2.52	28/250
	83.19	34	2871	11	15	0.92	1.00	38/300
	92.23	30	1592	5.5	7.5	0.92	2.06	28/250
117.9	24	2035	5.5	7.5	0.92	1.42	28/250	

n_1	i	n_2	M_2	kW_1	HP_1	RD
1400	34.24	41	3600	16.8	22.8	0.92
	39.47	35	3320	13.4	18.2	0.92
	41.78	34	3600	13.7	18.7	0.92
	50.46	28	3200	10.1	13.7	0.92
	53.36	26	3620	10.8	14.7	0.92
	58.57	24	3350	9.1	12.4	0.92
	65.07	22	3620	8.9	12.1	0.92
	71.52	20	3200	7.1	9.7	0.92
	75.63	19	3650	7.7	10.5	0.92
	83.19	17	3200	6.1	8.3	0.92
	92.23	15	3650	6.3	8.6	0.92
117.9	12	3200	4.3	5.9	0.92	

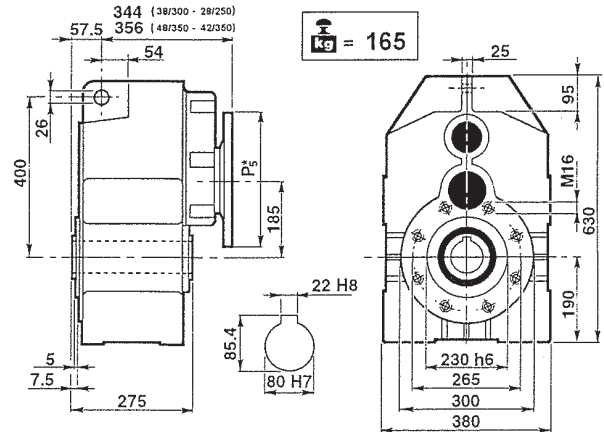
n_1	i	n_2	M_2	kW_1	HP_1	RD	sf	PAM
1400	34.24	41	3223	15	20	0.92	1.12	48/350 - 42/350
	39.47	35	2725	11	15	0.92	1.22	38/300
	41.78	34	3931	15	20	0.92	0.92	48/350 - 42/350
	50.46	28	2913	9.2	12.5	0.92	1.10	38/300
	53.36	26	3081	9.2	12.5	0.92	1.18	38/300
	58.57	24	1470	4.0	5.5	0.92	2.28	28/250
	65.07	22	3063	7.5	10	0.92	1.18	38/300
	71.52	20	1795	4.0	5.5	0.92	1.78	28/250
	75.63	19	1899	4.0	5.5	0.92	1.92	28/250
	83.19	17	2871	5.5	7.5	0.92	1.11	38/300
	92.23	15	2315	4.0	5.5	0.92	1.58	28/250
117.9	12	2960	4.0	5.5	0.92	1.08	28/250	

n_1	i	n_2	M_2	kW_1	HP_1	RD
900	34.24	26	3960	11.8	16.1	0.92
	39.47	23	3652	9.5	12.9	0.92
	41.78	22	3960	9.7	13.2	0.92
	50.46	18	3520	7.1	9.7	0.92
	53.36	17	3982	7.6	10.4	0.92
	58.57	15	3685	6.4	8.8	0.92
	65.07	14	3982	6.3	8.5	0.92
	71.52	13	3520	5.0	6.9	0.92
	75.63	12	4015	5.4	7.4	0.92
	83.19	11	3520	4.3	5.9	0.92
	92.23	10	4015	4.5	6.1	0.92
117.9	8	3520	3.1	4.2	0.92	

n_1	i	n_2	M_2	kW_1	HP_1	RD	sf	PAM
900	34.24	26	3677	11	15	0.92	1.08	48/350 - 42/350
	39.47	23	2119	5.5	7.5	0.92	1.72	38/300
	41.78	22	3058	7.5	10	0.92	1.30	48/350 - 42/350
	50.46	18	2709	5.5	7.5	0.92	1.30	38/300
	53.36	17	2865	5.5	7.5	0.92	1.39	38/300
	58.57	15	1258	2.2	3.0	0.92	2.93	28/250
	65.07	14	3494	5.50	7.5	0.92	1.14	38/300
	71.52	13	1536	2.2	3.0	0.92	2.29	28/250
	75.63	12	1624	2.2	3.0	0.92	2.47	28/250
	83.19	11	3248	4.0	5.5	0.92	1.08	38/300
	92.23	10	1981	2.2	3.0	0.92	2.03	28/250
117.9	8	2532	2.2	3.0	0.92	1.39	28/250	



PD 160/3



MPD 160/3

P_{5*}: Vedere i PAM per ogni singola versione
P_{5*}: See PAM size for each single version
P_{5*}: Siehe PAM Größe für jede Ausführung

P_{5*}: Voir les PAM pour chaque version simple
P_{5*}: Consulte los PAM de cada versión por separado
P_{5*}: Ver os PAM para cada versão