

PD 80/3

MPD 80/3

n_1	i	n_2	M_2	kW_1	HP_1	RD
2800	24.45	115	459	6.0	8.1	0.92
	31.57	89	459	4.6	6.3	0.92
	38.47	73	450	3.7	5.1	0.92
	46.91	60	432	2.9	4.0	0.92
	49.22	57	360	2.3	3.2	0.92
	56.54	50	459	2.6	3.5	0.92
	59.97	47	360	1.9	2.6	0.92
	68.95	41	441	2.0	2.8	0.92
	84.58	33	468	1.8	2.4	0.92
	88.15	32	378	1.4	1.9	0.92
	103.15	27	450	1.4	1.9	0.92
	131.86	21	378	0.9	1.2	0.92

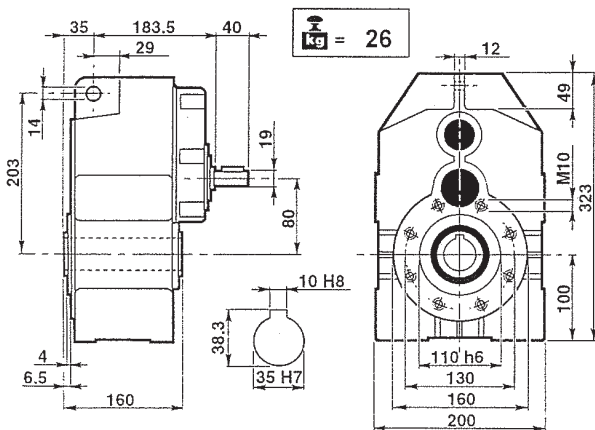
n_1	i	n_2	M_2	kW_1	HP_1	RD	sf	PAM
2800	24.45	115	169	2.2	3	0.92	2.72	24/200 - 19/200
	31.57	89	218	2.2	3	0.92	2.11	24/200 - 19/200
	38.47	73	362	3.0	4	0.92	1.24	28/250 - 24/200
	46.91	60	442	3.0	4	0.92	0.98	28/250 - 24/200
	49.22	57	340	2.2	3	0.92	1.06	24/200 - 19/200
	56.54	50	390	2.2	3	0.92	1.18	24/200 - 19/200
	59.97	47	282	1.5	2	0.92	1.28	28/250 - 24/200
	68.95	41	325	1.5	2	0.92	1.36	24/200 - 19/200
	84.58	33	199	0.75	1	0.92	2.35	14/160
	88.15	32	304	1.1	1.5	0.92	1.24	24/200 - 19/200
	103.15	27	243	0.75	1	0.92	1.85	14/160
	131.86	21	310	0.75	1	0.92	1.22	14/160

n_1	i	n_2	M_2	kW_1	HP_1	RD
1400	24.45	57	510	3.3	4.5	0.92
	31.57	44	510	2.6	3.5	0.92
	38.47	36	500	2.1	2.8	0.92
	46.91	30	480	1.6	2.2	0.92
	49.22	28	400	1.3	1.8	0.92
	56.54	25	510	1.4	2.0	0.92
	59.97	23	400	1.1	1.4	0.92
	68.95	20	490	1.1	1.5	0.92
	84.58	17	520	1.0	1.3	0.92
	88.15	16	420	0.8	1.0	0.92
	103.15	14	500	0.8	1.1	0.92
	131.86	11	420	0.5	0.7	0.92

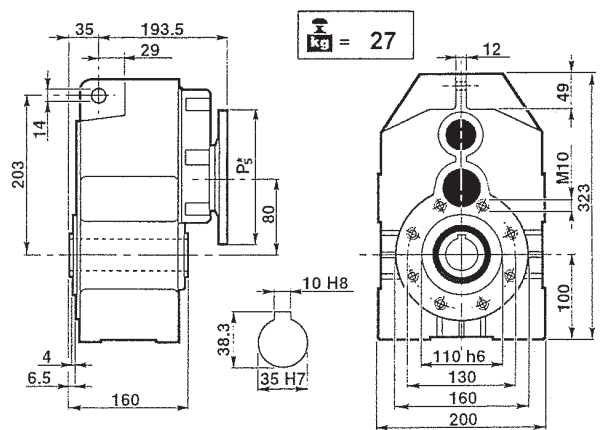
n_1	i	n_2	M_2	kW_1	HP_1	RD	sf	PAM
1400	24.45	57	276	1.8	2.5	0.92	1.85	24/200 - 19/200
	31.57	44	357	1.8	2.5	0.92	1.43	24/200 - 19/200
	38.47	36	531	2.2	3.0	0.92	0.94	28/250 - 24/200
	46.91	30	442	1.5	2.0	0.92	1.09	28/250 - 24/200
	49.22	28	340	1.1	1.5	0.92	1.18	24/200 - 19/200
	56.54	25	390	1.1	1.5	0.92	1.31	24/200 - 19/200
	59.97	23	414	1.1	1.5	0.92	0.97	28/250 - 24/200
	68.95	20	476	1.1	1.5	0.92	1.03	24/200 - 19/200
	84.58	17	196	0.37	0.5	0.92	2.65	14/160
	88.15	16	415	0.75	1.0	0.92	1.01	24/200 - 19/200
	103.15	14	240	0.37	0.5	0.92	2.09	14/160
	131.86	11	306	0.37	0.5	0.92	1.37	14/160

n_1	i	n_2	M_2	kW_1	HP_1	RD
900	24.45	37	561	2.4	3.2	0.92
	31.57	29	561	1.8	2.5	0.92
	38.47	23	550	1.5	2.0	0.92
	46.91	19	528	1.2	1.6	0.92
	49.22	18	440	0.9	1.2	0.92
	56.54	16	561	1.0	1.4	0.92
	59.97	15	440	0.8	1.0	0.92
	68.95	13	539	0.8	1.1	0.92
	84.58	11	572	0.7	0.9	0.92
	88.15	10	462	0.5	0.7	0.92
	103.15	9	550	0.5	0.7	0.92
	131.86	7	462	0.4	0.5	0.92

n_1	i	n_2	M_2	kW_1	HP_1	RD	sf	PAM
900	24.45	37	263	1.1	1.5	0.92	2.14	24/200 - 19/200
	31.57	29	339	1.1	1.5	0.92	1.65	24/200 - 19/200
	38.47	23	563	1.5	2.0	0.92	0.98	28/250 - 24/200
	46.91	19	504	1.1	1.5	0.92	1.05	28/250 - 24/200
	49.22	18	360	0.75	1.0	0.92	1.22	24/200 - 19/200
	56.54	16	414	0.75	1.0	0.92	1.36	24/200 - 19/200
	59.97	15	439	0.75	1.0	0.92	1.00	28/250 - 24/200
	68.95	13	505	0.75	1.0	0.92	1.07	24/200 - 19/200
	84.58	11	206	0.25	0.34	0.92	2.77	14/160
	88.15	10	473	0.55	0.75	0.92	0.89	24/200 - 19/200
	103.15	9	252	0.25	0.34	0.92	2.18	14/160
	131.86	7	322	0.25	0.34	0.92	1.44	14/160



PD 80/3



MPD 80/3

P₅*: Vedere i PAM per ogni singola versione
P₅*: See PAM size for each single version
P₅*: Siehe PAM Größe für jede Ausführung

P₅*: Voir les PAM pour chaque version simple
P₅*: Consulte los PAM de cada versión por separado
P₅*: Ver os PAM para cada versão