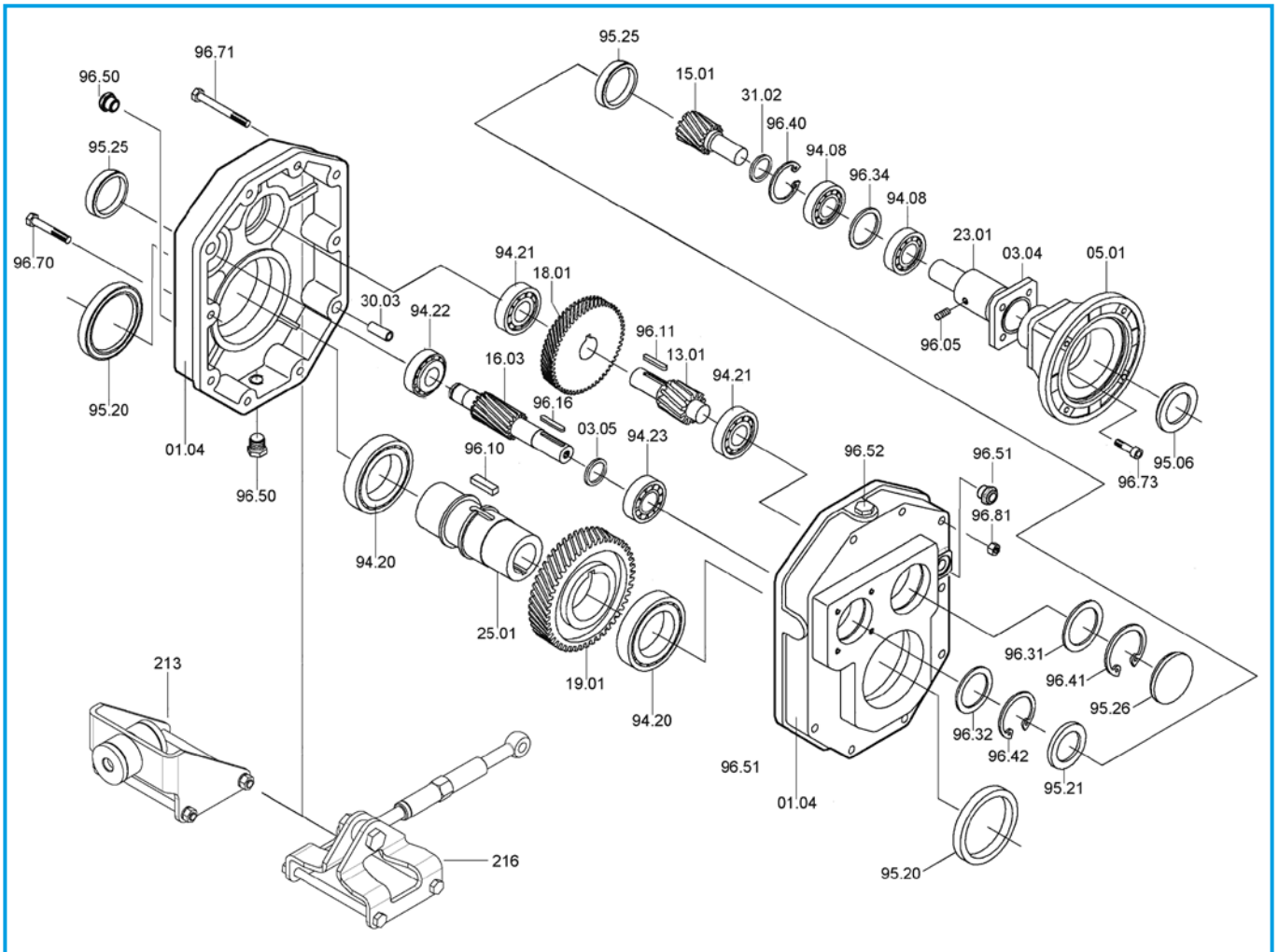




PA..B - PC..B



PA - PC	Cuscinetti/ Bearings / Lager					Anelli di tenuta / Oilseals / Öldichtungen			
	PA - PC		PA		PC	PA - PC	PC		PA
	94.20	94.21	94.22	94.23	94.08	95.20	IEC	95.06	95.21
63B	6008 40/68/15	6302 15/42/13	6301 12/37/21	6302 15/42/13	7203 17/40/12	40/62/7	63	25/52/7	15/35/7
							71	30/52/7	
							80	35/52/7	
							90	37/52/8	
80B	6210 50/90/20	6304 20/52/15	30302 15/45/14.25	30204 20/47/15.25	7205 25/52/15	50/80/10	71 - 80	35/62/7	20/47/7
							90	40/62/7	
							100 - 112	45/62/8	
100B	6212 60/110/22	6305 25/62/17	30304 20/52/16.25	30205 25/52/16.25	7206 30/62/16	60/100/13	80 - 90	40/72/7	25/52/7
							100 - 112	45/72/8	
							132	55/72/10	
125B	6215 75/130/25	6306 30/72/19	30305 25/62/18.25	30206 30/62/17.25	7207 35/72/17	75/120/12	80 - 90	45/80/10	30/62/7
							100 - 112	45/80/10	
							132	55/80/10	
							160	60/80/8	
160B	6219 95/170/32	6307 35/80/21	30306 30/72/20.75	30208 40/80/19.75	7209 45/85/38	95/136/13	180	65/80/8	40/80/10
							100 - 112	55/100/13	
							132 - 160	60/100/10	
							180	65/100/10	
							200	75/100/10	