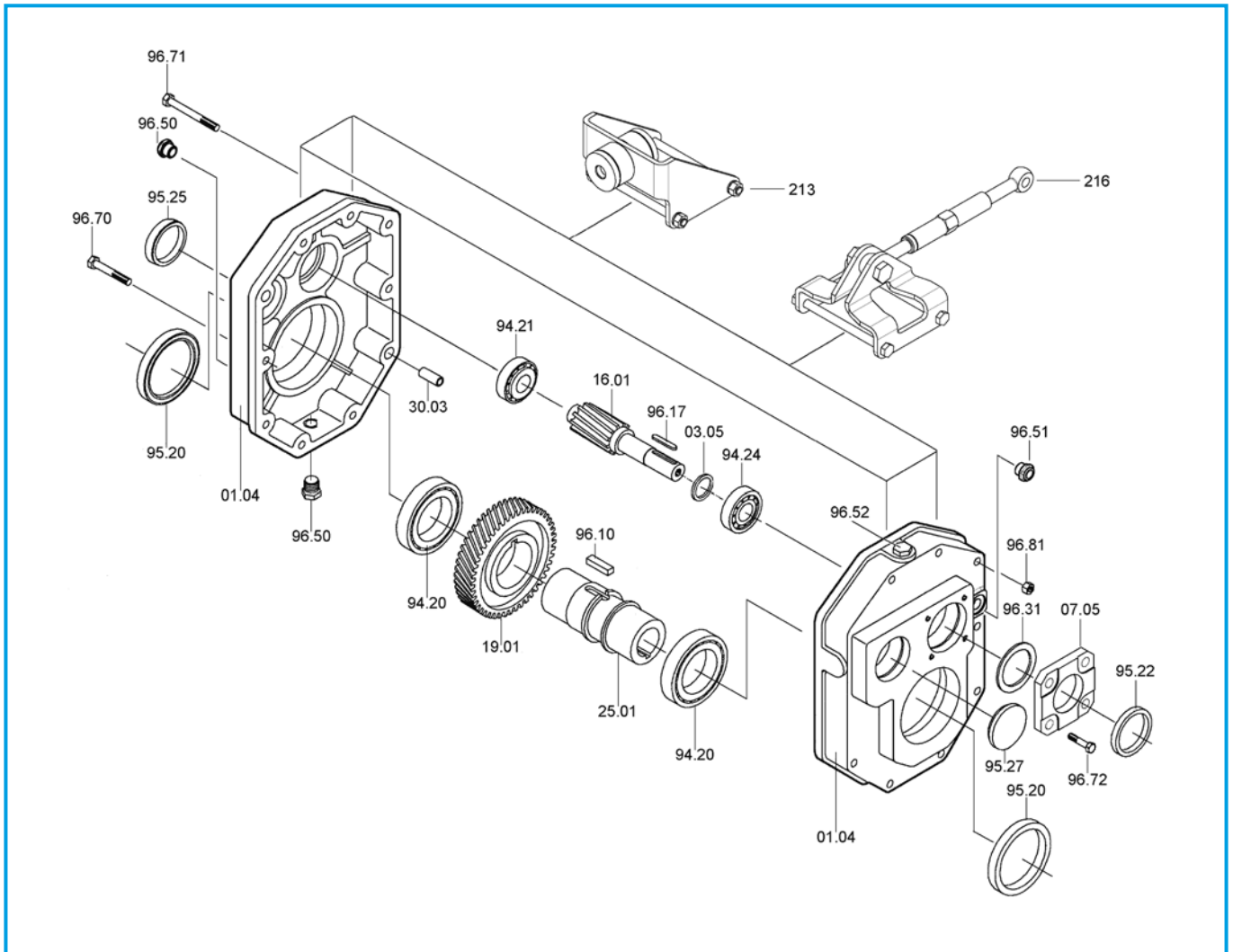




**PA..A**



PA	Cuscinetti/ Bearings / Lager			Anelli di tenuta / Oilseals / Öldichtungen	
	94.20	94.21	94.24	95.20	95.22
<b>63A</b>	<b>6008</b> 40/68/15	<b>30302</b> 15/42/14.25	<b>32004</b> 20/42/15	40/62/7	<b>20/35/7</b>
<b>80A</b>	<b>6210</b> 50/90/20	<b>30304</b> 20/52/16.25	<b>30205</b> 25/52/16.25	50/80/10	<b>25/40/7</b>
<b>100A</b>	<b>6212</b> 60/110/22	<b>30305</b> 25/62/18.25	<b>30206</b> 30/62/17.25	60/100/13	<b>30/52/7</b>
<b>125A</b>	<b>6215</b> 75/130/25	<b>30306</b> 30/72/20.75	<b>30208</b> 40/80/19.75	75/120/12	<b>40/68/10</b>
<b>160A</b>	<b>6219</b> 95/170/32	<b>32208</b> 40/80/24.75	<b>30210</b> 50/90/21.75	95/136/13	<b>50/80/8</b>