

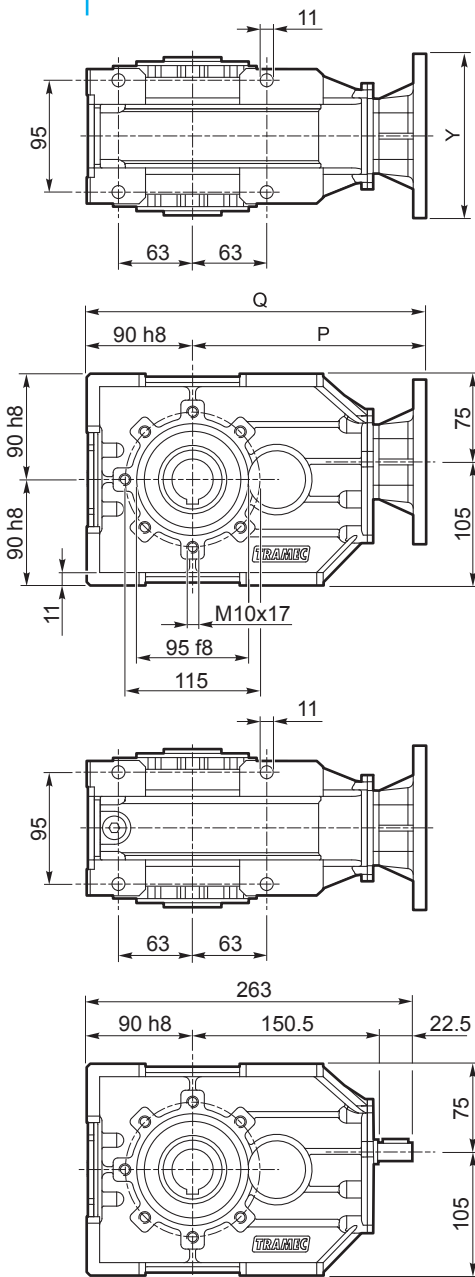
2.10 Dimensioni

2.10 Dimensions

2.10 Abmessungen

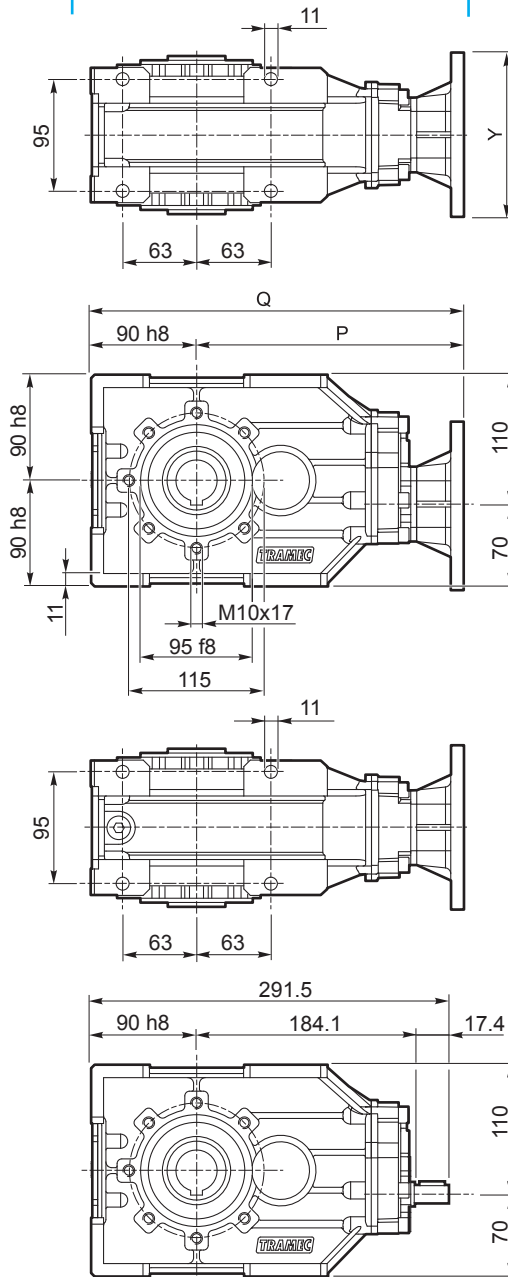
**TF75B...**

2 Riduzioni/Stages/Stufen

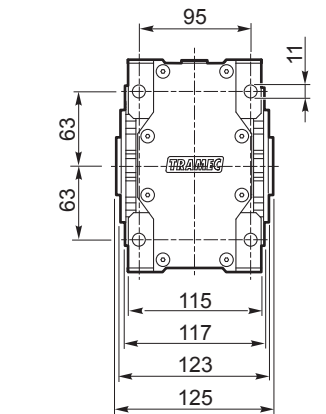
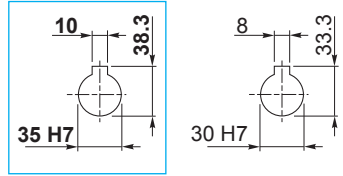


**TF75C...**

3 Riduzioni/Stages/Stufen

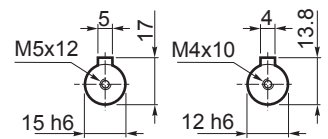


standard



IEC	
	63 B5
	71 B5
	80 B5/B14
	90 B5/B14
	100 B5/B14

**TA75B... TA75C...**



B5	TF...									
	75B					75C				
IEC..	71	80	90	100	112	63	71	80	90	
Y	160	200	200	250	250	140	160	200	200	
P	205.5	225.5	225.5	235.5	235.5	227	234	254	254	
Q	295.5	315.5	315.5	325.5	325.5	317	324	344	344	
kg	6.5	6.5	6.5	6.5	6.5	7	7	7	7	

B14	TF...									
	75B					75C				
IEC..	71	80	90	100	112	63	71	80	90	
Y	105	120	140	160	160	-	105	120	140	
P	205.5	225.5	225.5	235.5	235.5	-	234	254	254	
Q	295.5	315.5	315.5	325.5	325.5	-	324	344	344	
kg	6.5	6.5	6.5	6.5	6.5	7	7	7	7	