

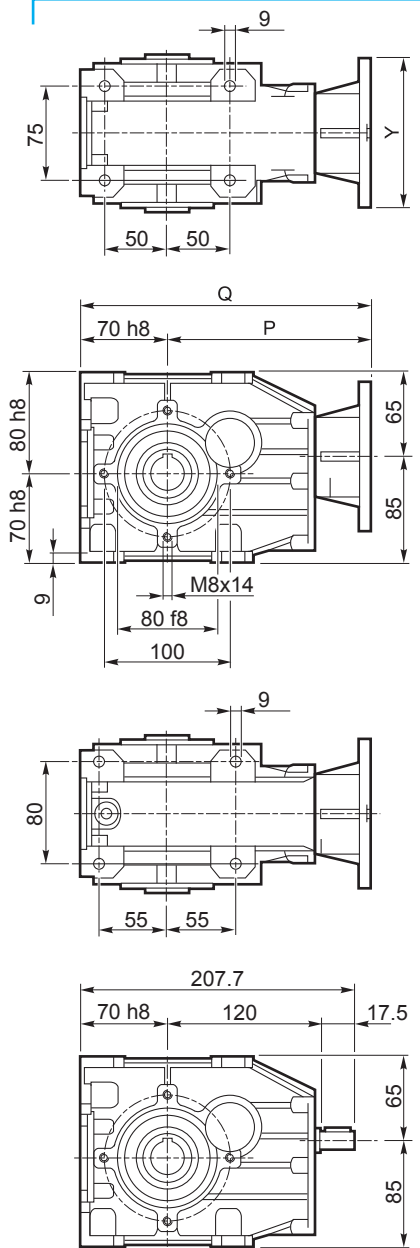
2.10 Dimensioni

2.10 Dimensions

2.10 Abmessungen

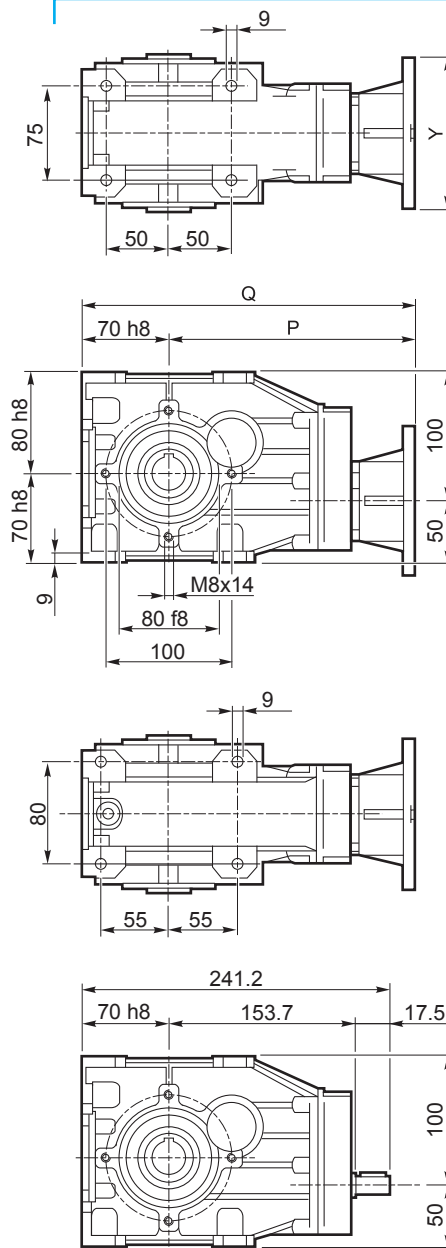
TF63B...

2 Riduzioni/Stages/Stufen

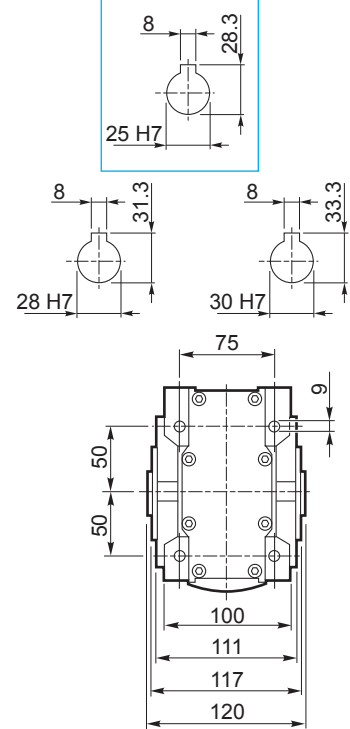


TF63C...

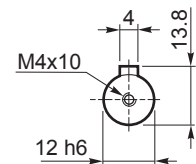
3 Riduzioni/Stages/Stufen



standard



IEC	
	56 B5
	63 B5
	71 B5
	80 B5/B14
	90 B5/B14



B5	TF...									
	63B					63C				
IEC..	56	63	71	80	90	56	63	71	80	90
Y	120	140	160	200	200	120	140	160	200	200
P	160	163	170	190	190	194	197	204	224	224
Q	230	233	240	260	260	264	267	274	294	294
kg	6.0	6.0	6.0	6.0	6.0	6.5	6.5	6.5	6.5	6.5

B14	TF...									
	63B					63C				
IEC..	56	63	71	80	90	56	63	71	80	90
Y	—	—	105	120	140	—	—	105	120	140
P	—	—	170	190	190	—	—	204	224	224
Q	—	—	240	260	260	—	—	274	294	294
kg	—	—	6.0	6.0	6.0	—	—	6.5	6.5	6.5