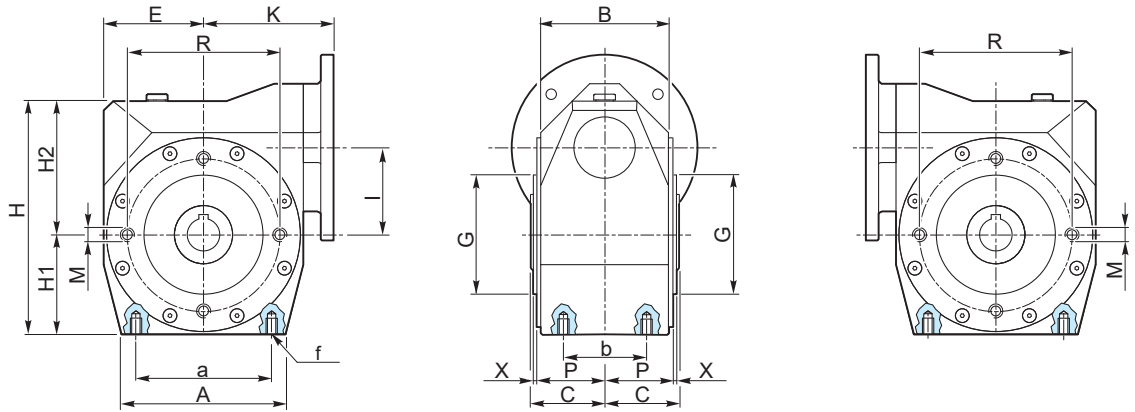
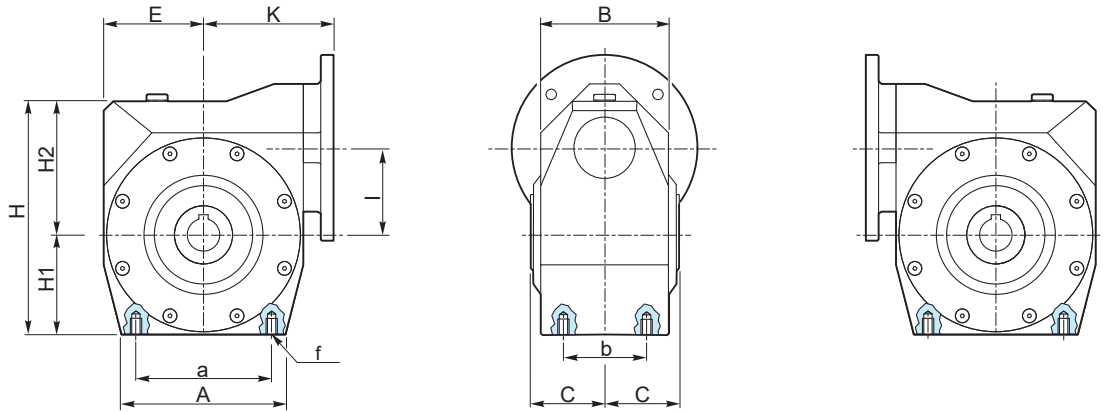


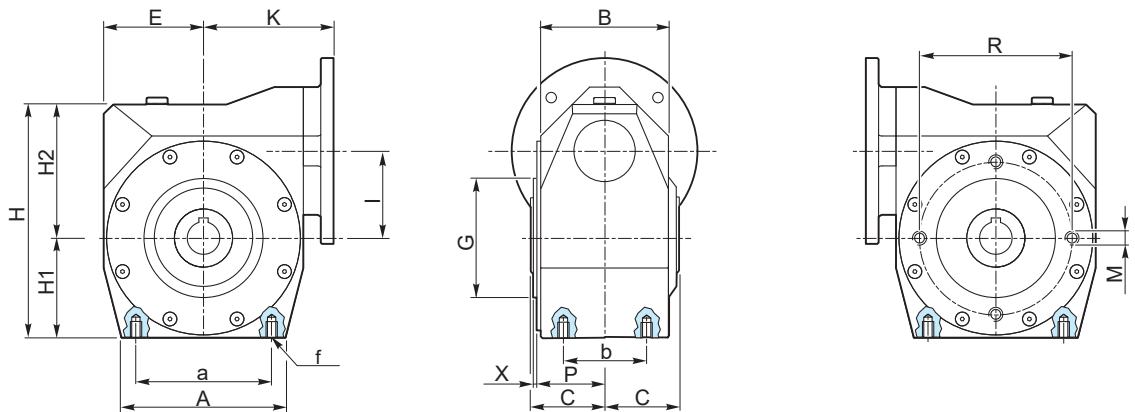
GHA.. PP



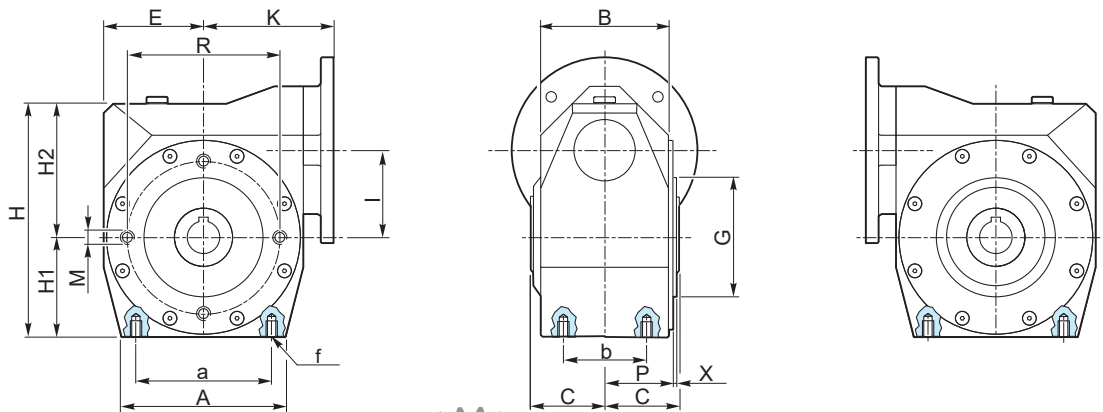
GHA.. CC

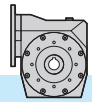


GHA.. PD



GHA.. PS





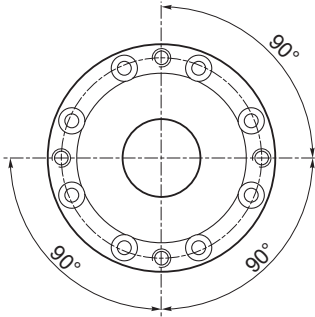
2.12 Dimensioni

2.12 Dimensions

2.12 Abmessungen

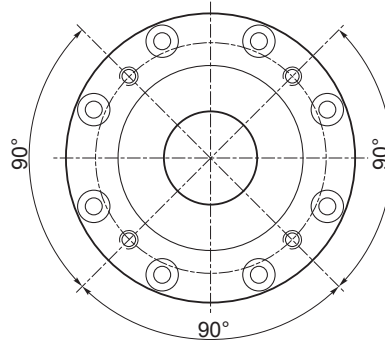
Flangia pendolare / Shaft-mounted flange / Aufsteckflansch

30



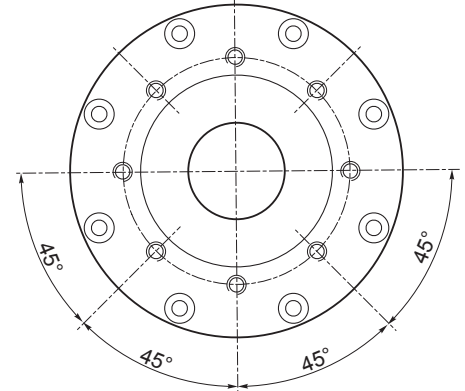
4 Fori / Holes / Bohrungen

40 - 50



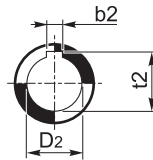
4 Fori / Holes / Bohrungen

63 - 75




8 Fori / Holes / Bohrungen

Albero uscita cavo
Output hollow shaft
Abtriebshohlwelle



GHA	A	a	B	b	b ₂	C	D ₂ H8	E	f	G h8	H	H ₁	H ₂
30	66	54	56	44	5	31.5	14	40	M6 x 9	55	93	40	53
40	85	70	71	60	6	39	18	50	M6 x 11	60	116	50	66
50	95	80	84	70	8	46	25	60	M8 x 12	70	142	60	82
63	118	100	101	85	8	56	25	72	M8 x 16	80	173	72	101
75	142	120	110	90	8	60	28	86	M10 x 16	95	201	86	115

GHA	I	K	M	P	R	t ₂	X	
30	31.5	57	M6x8	29	65	16.3	1.5	1.5
40	40	75	M6X10	36.5	75	20.8	1.5	2.8
50	50	82	M8x10	43.5	85	28.3	1.5	4.5
63	63	96.8	M8x14	53	95	28.3	2	7.8
75	75	112	M8x14	57	115	31.3	2	12.8