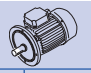




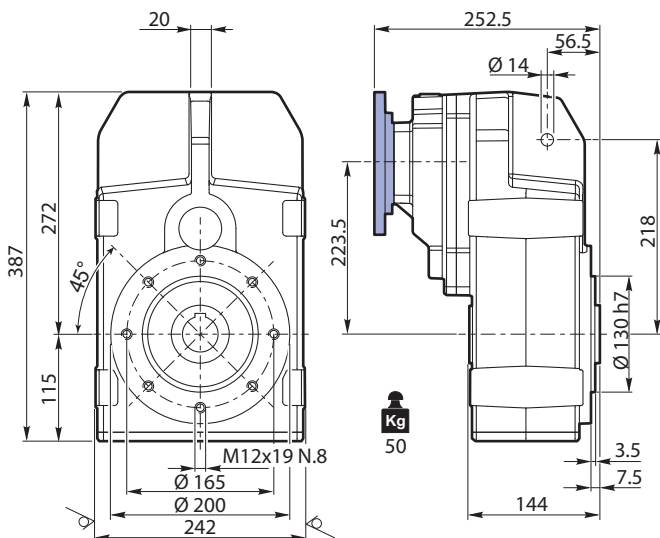
Dati tecnici riduttori/ Reducer technical data / Technische Daten Getriebe

Caractéristiques techniques reducteurs/ Datos técnicos reductores / Características técnicas ridutor

21

RFV	i	$n_1 = 2800 \text{ min}^{-1}$			$n_1 = 1400 \text{ min}^{-1}$			$n_1 = 900 \text{ min}^{-1}$			 IEC B5 IEC B14	
		n_2 min ⁻¹	Mn_2 Nm	P_1 kW	n_2 min ⁻¹	Mn_2 Nm	P_1 kW	n_2 min ⁻¹	Mn_2 Nm	P_1 kW		
403	74.67	37	1200	5.07	19	1200	2.53	12	1200	1.63	90 80 71	90 80 71
	86.31	32	1200	4.38	16	1200	2.19	10	1200	1.41		
	101.27	28	1200	3.74	14	1200	1.87	8.9	1200	1.20		
	108.91	26	1200	3.47	13	1200	1.74	8.3	1200	1.12		
	125.89	22	1200	3.01	11	1200	1.50	7.1	1200	0.97		
	138.65	20	1200	2.73	10	1200	1.36	6.5	1200	0.88		
	147.71	19	1200	2.56	9.5	1200	1.28	6.1	1200	0.82		
	160.26	17	1200	2.36	8.7	1200	1.18	5.6	1200	0.76		
	170.24	16	1200	2.22	8.2	1200	1.11	5.3	1200	0.71		
	188.04	15	1200	2.01	7.4	1200	1.01	4.8	1200	0.65		
	203.77	14	1200	1.86	6.9	1200	0.93	4.4	1200	0.60		
	213.38	13	1200	1.77	6.6	1200	0.89	4.2	1200	0.57		
	250.36	11	1200	1.51	5.6	1200	0.76	3.6	1200	0.49		
	265.04	11	1200	1.43	5.3	1200	0.71	3.4	1200	0.46		
	306.34	9.1	1200	1.24	4.6	1200	0.62	2.9	1200	0.40	90 80 71 63	90 80 71
	359.44	7.8	1200	1.05	3.9	1200	0.53	2.5	1200	0.34		
	430.24	6.5	1200	0.88	3.3	1200	0.44	2.1	1200	0.28		

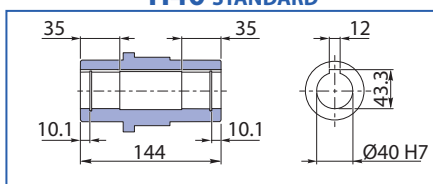
RFV 403 H...IEC



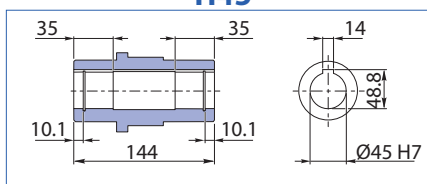
Albero uscita / Output shaft / Abtriebswelle

Arbre de sortie / Eje de salida / Eixo de saída

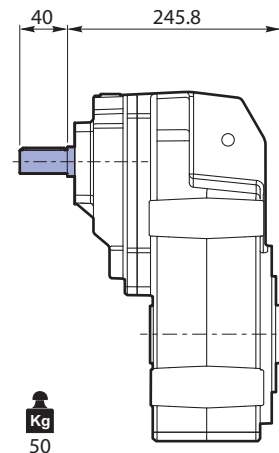
H40 STANDARD



H45



RFV 403 H...FV



Albero entrata / Input shaft / Antriebswelle

Arbre d'entrée / Eje de entrada / Eixo de entrada

