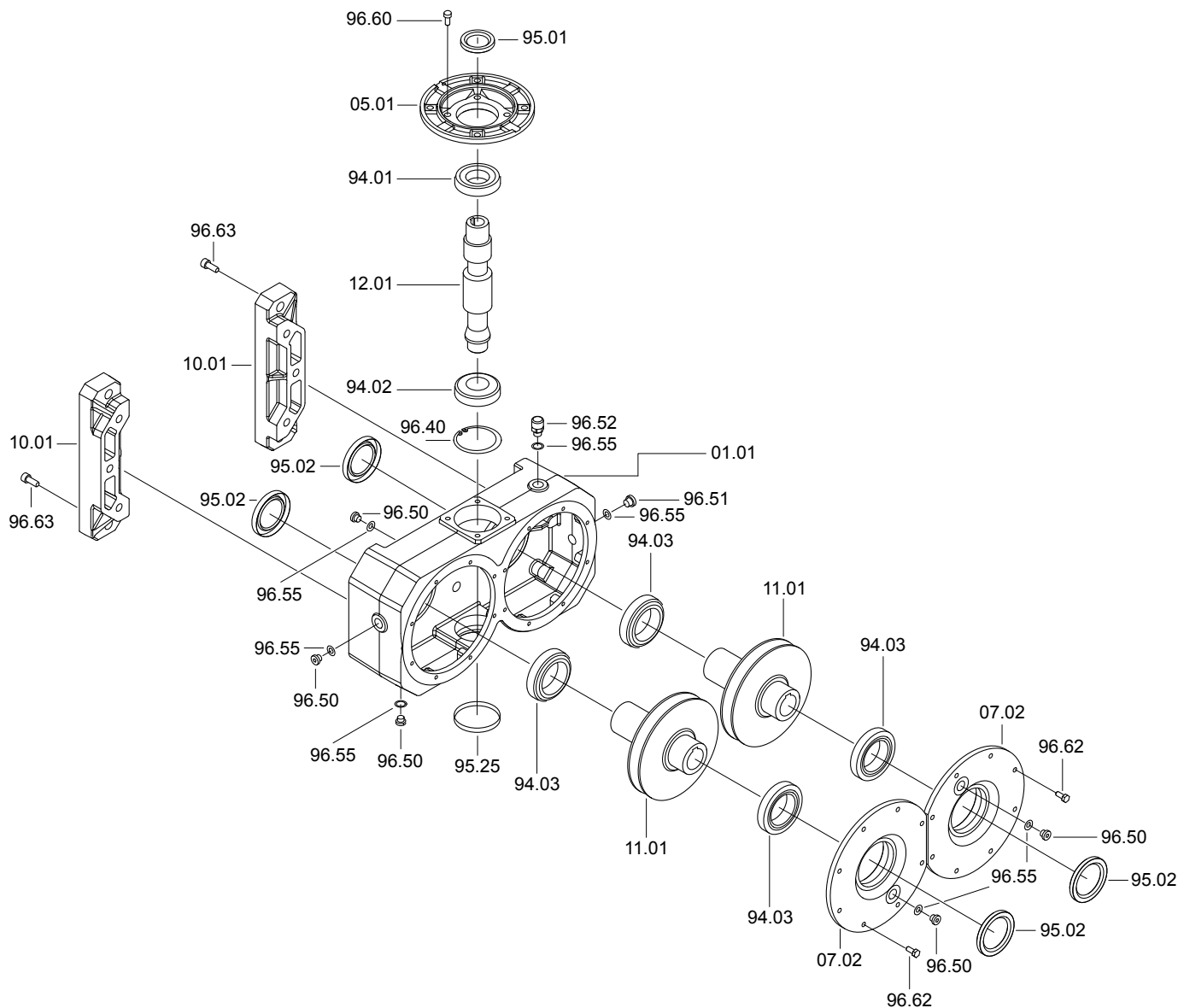


VM 230



VM	Cuscinetti / Bearings / Lager			Anelli di tenuta / Oilseals Öldichtungen		Cappellotto / Closed oil seal Geschlossene Öldichtung
	94.01	94.02	94.03	95.01	95.02	95.25
230	30208 40x80x19.75	30307 35x80x22.75	32012 60x95x23	40/72/7	60/85/8	ø 80x10