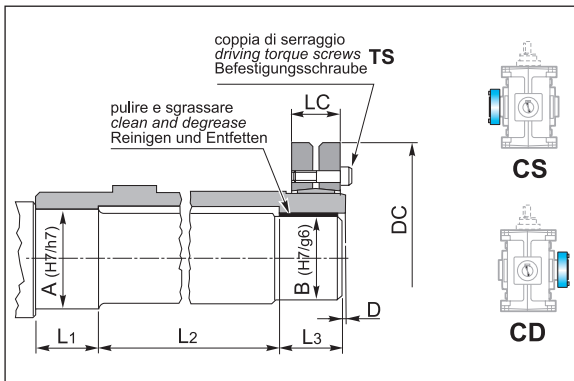


**Albero lento cavo con calettatore**

**Hollow output shaft with shrink disc**

**Abtriebshohlwelle mit Schrumpfscheibe**

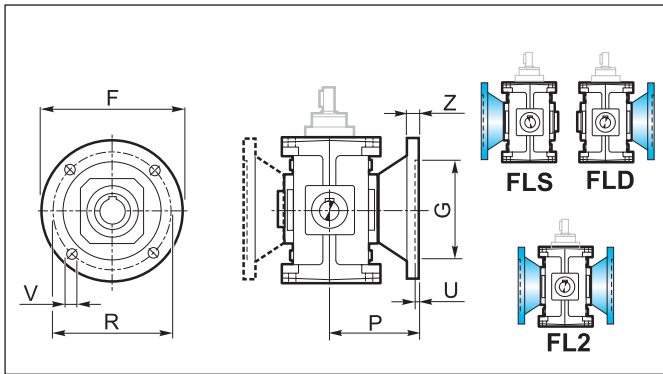


	T									
	56B 56C	63B 63C	75B 75C	71B	90B 80C	112B 100C	140B 125C	180B 160C	200B 180C	225B 200C
A	27	32	37	27	37	47	57	72	92	102
B	25	30	35	25	35	45	55	70	90	100
D	2	2	2	2	2	2	2	2	3	3
DC	60	72	80	60	80	100	115	155	188	215
LC	21.5	23.5	26	22	26	31	31	39	50	54
L <sub>1</sub>	32	36	39	36	39	45	50	60	70	80
L <sub>2</sub>	61	75	82	68	82	100	115	143	175	200
L <sub>3</sub>	32	36	39	36	39	45	50	60	70	80
TS(Nm)	4	12	12	4	12	12	12	30	59	59

**Flangia uscita**

**Output flange**

**Abtriebsflansch**

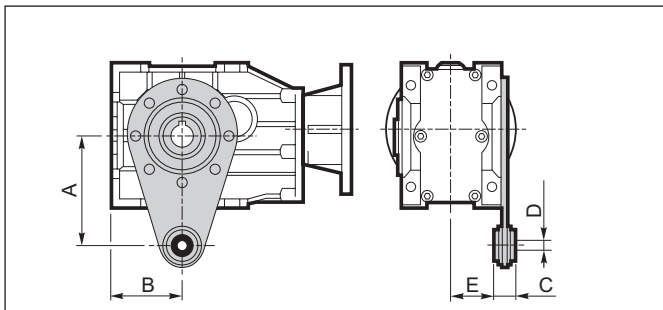


	T								
	56B 56C	63B 63C	75B 75C	71B	90B 80C	112B 100C	140B 125C	180B 160C	200B 180C
F	140	160	200	160	200	250	300	350	400
G <sub>F7</sub>	95	110	130	110	130	180	230	250	300
R	115	130	165	130	165	215	265	300	350
P	82	91.5	97.5	87	100	125	150	180	215
U	5	5	5	4	4.5	5	5	6	6
V	9	9	12	12	12	14	16	18	20
Z	15	10	15	10	12	16	20	25	30
kg	0.5	0.5	0.9	2	3.2	5	8	12.5	24

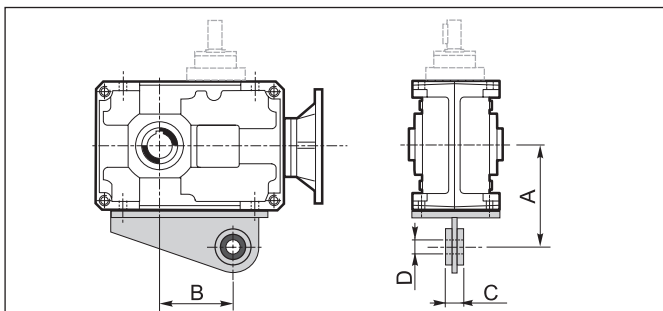
**Braccio di reazione**

**Torque arm**

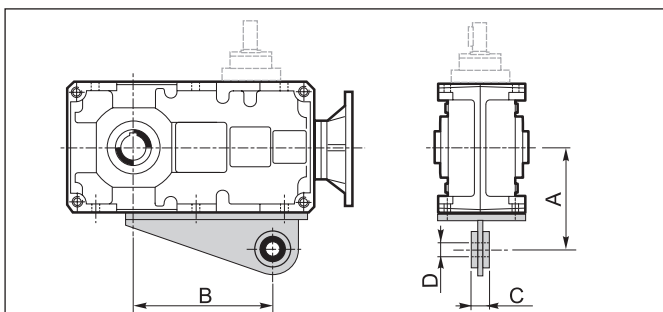
**Drehmomentstütze**



56B - 56C - 63B - 63C - 75B - 75C			
	T		
	56B 56C	63B 63C	75B 75C
A	100	150	200
B	65	70	90
C	20	20	25
D	10	10	20
E	39	48.5	49



71B - 225B							
	T						
	71B	90B	112B	140B	180B	200B	225B
A	123	140	172	205	260	300	325
B	84	116	144	189	247.5	280	319
C	25	25	30	30	35	45	45
D	20	20	25	25	35	40	40



80C - 200C						
	T					
	80C	100C	125C	160C	180C	200C
A	130	160	190	240	280	300
B	170	214	276	354.5	367	456.5
C	25	30	30	35	45	45
D	20	25	25	35	40	40