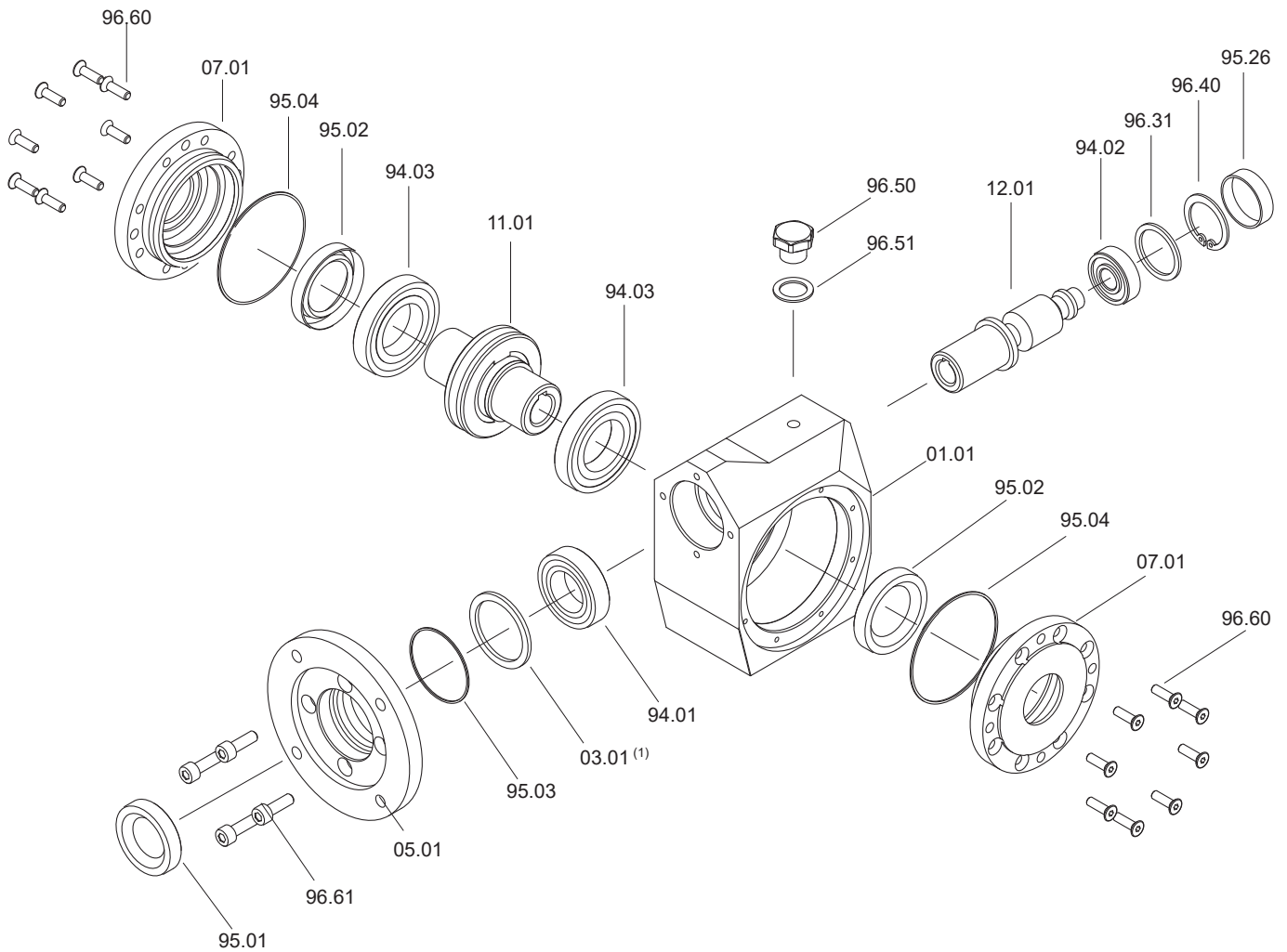


2.13 Lista parti di ricambio

2.13 Spare parts list

2.13 Ersatzteilliste



GHA	IEC	Cuscinetti / Bearings / Lager			Anelli di tenuta / Oilseals / Öldichtungen		OR		Cappellotto / Closed oil seal / Geschlossene Öldichtung
		94.01	94.02	94.03	95.01	95.02	95.03	95.04	95.26
30	56	61904 (20x37x9)	6000 (10x26x8)	16005 (25x47x8)	20/35/7	25/40/7	33x1.2	50x1.5	ø 26x7
	63				25/47/7	30/47/7			
40	63	6204 (20x47x14)	6201 (12x32x10)	16006 (30x55x9)	20/47/7	30/47/7	43x1.5	65x2	ø 32x7
	71	6005 (25x47x12)			25/47/7				
50	71	6005 (25x47x12)	6203 (17x40x12)	16008 (40x68x9)	25/47/7	40/62/8	50x1.5	82x2	ø 40x7
	80	6006 (30x55x13)			30/47/7				
63	80	6206 (30x62x16)	6204 C3 (20x47x14)	16008 (40x68x9)	30/62/7	40/62/8	56x1.5	102x2.5	ø 47x7
	90	6007 (35x62x14)			35/62/7				
75	90	6007 (35x62x14)	6205 C3 (25x52x15)	16010 (50x80x10)	35/62/7	50/72/8	60x3	123x3	ø 52x7

(1) Solo per GHA 63 PAM90 e 75 PAM 90 e 100 / Only for GHA 63 PAM 90 and 75 PAM 90 and 100 / Nur für GHA 63 PAM 90, 75 PAM 90 und 100